

09/2004



# MANOVELLISMI E BRACCI TERGICRISTALLO

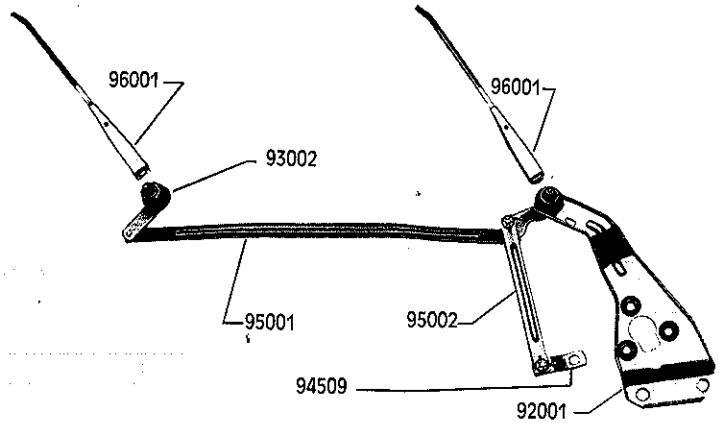
WIPER LINKAGES AND WIPER ARMS  
SYSTEMES D'ESSUYAGE  
SCHEIBENWISCHERANLAGEN  
SISTEMAS LIMPIAPARABRISAS





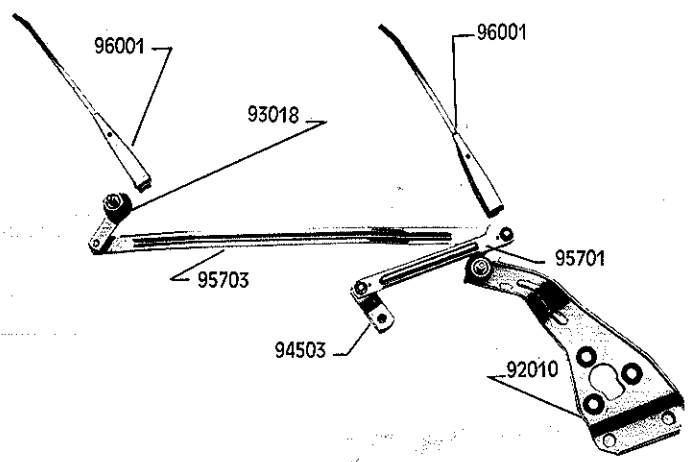
## FIAT 500 D - 500 Giardiniera Bianchina panoramica

<b>91506 Completo</b>	<b>91506 Assembly</b>
92001 Piastra	92001 Plate
93002 Perno completo	93002 Complete pin
94509 Manovella	94509 Crank
95001 Biella tirante	95001 Tie connecting rod
95002 Biella motore	95002 Motor connecting rod
96001 Braccio Lucido	96001 Wiper arm/polished inox



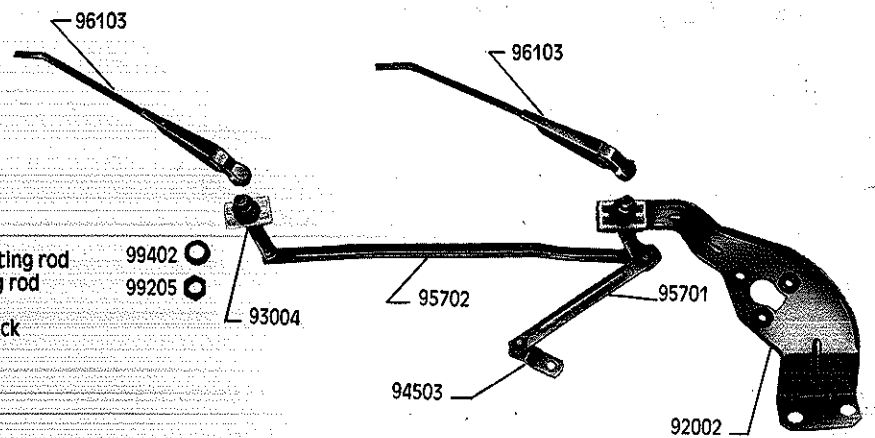
## FIAT 500 F

<b>91507 Completo</b>	<b>91507 Assembly</b>
92010 Piastra	92010 Plate
93018 Perno completo	93018 Complete pin
94503 Manovella	94503 Crank
95701 Biella motore	95701 Motor connecting rod
95703 Biella tirante	95703 Tie connecting rod
96001 Braccio Lucido	96001 Wiper arm/polished inox



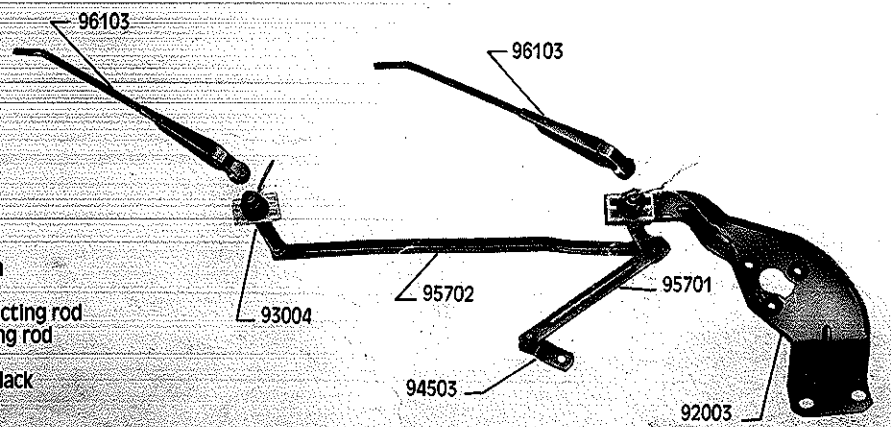
## FIAT 500 F - 500 L - 500 R

<b>91359 Completo</b>	<b>91359 Assembly</b>
92002 Piastra	92002 Plate
93004 Perno completo	93004 Complete pin
94503 Manovella	94503 Crank
95701 Biella motore	95701 Motor connecting rod
95702 Biella tirante	95702 Tie connecting rod
96103 Braccio Nero	96103 Wiper arm/black



## FIAT 500 F - 500 L (Giargia - piolo da 6 mm.)

<b>91361 Completo</b>	<b>91361 Assembly</b>
92003 Piastra	92003 Plate
93004 Perno completo	93004 Complete pin
94503 Manovella	94503 Crank
95701 Biella motore	95701 Motor connecting rod
95702 Biella tirante	95702 Tie connecting rod
96103 Braccio Nero	96103 Wiper arm/black



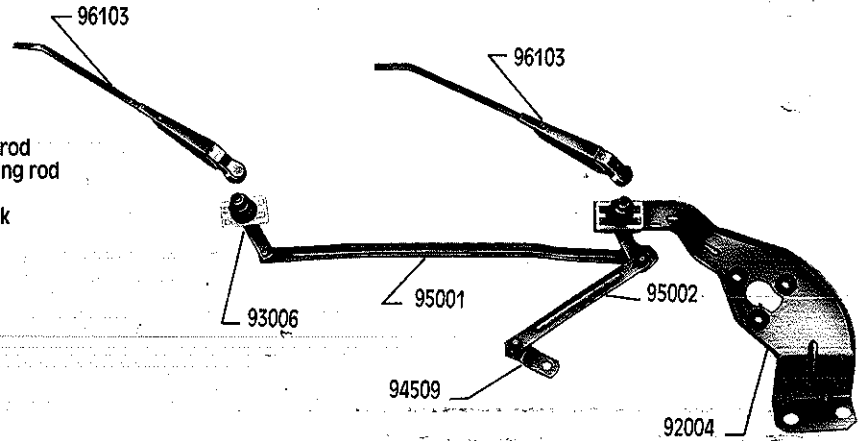
## FIAT 500 F - 500 L (Giargia - piolo da 5 mm.)

### 91362 Completo

- 92004 Piastra
- 93006 Perno completo
- 94509 Manovella
- 95001 Biella tirante
- 95002 Biella motore
- 96103 Braccio Nero

### 91362 Assembly

- 92004 Plate
- 93006 Complete pin
- 94509 Crank
- 95001 Tie connecting rod
- 95002 Motor connecting rod
- 96103 Wiper arm/black



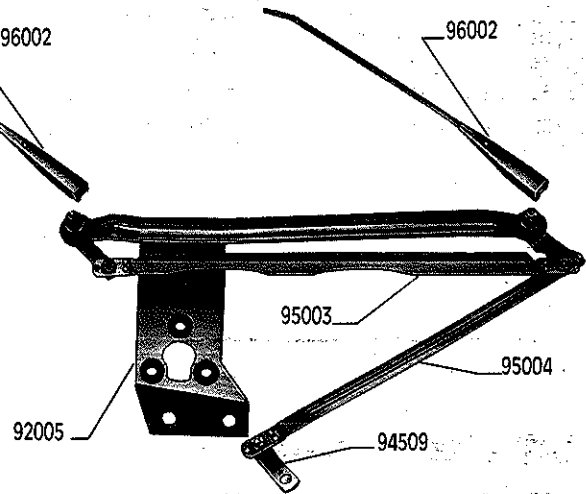
## FIAT 600 D - Berlina - Multipla - ABARTH 850 T - 850 Competizione - 1000 Berlina

### 91342 Completo

- 92005 Piastra
- 94509 Manovella
- 95003 Biella tirante
- 95004 Biella motore
- 96002 Braccio Lucido

### 91342 Assembly

- 92005 Plate
- 94509 Crank
- 95003 Tie connecting rod
- 95004 Motor connecting rod
- 96002 Wiper arm/polished inox



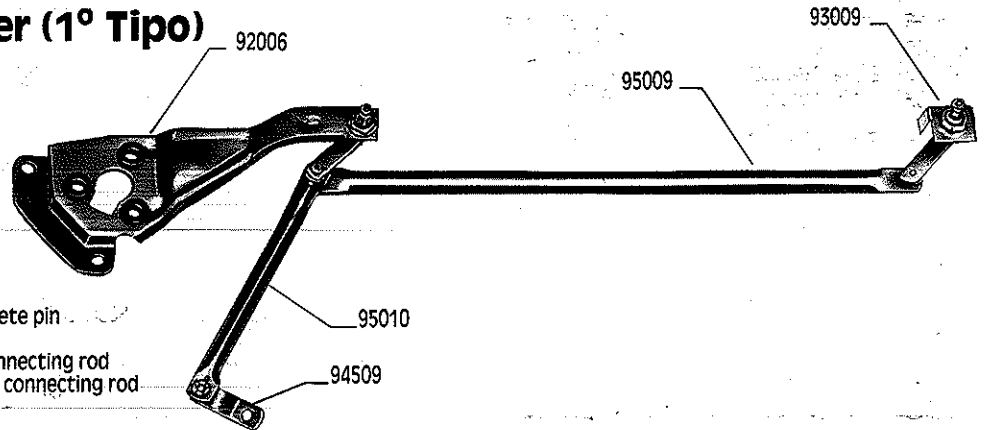
## FIAT 850 Normale - Super (1° Tipo)

### 92006 Piastra

- 93009 Perno completo
- 94509 Manovella
- 95009 Biella tirante
- 95010 Biella motore

### 92006 Plate

- 93009 Complete pin
- 94509 Crank
- 95009 Tie connecting rod
- 95010 Motor connecting rod



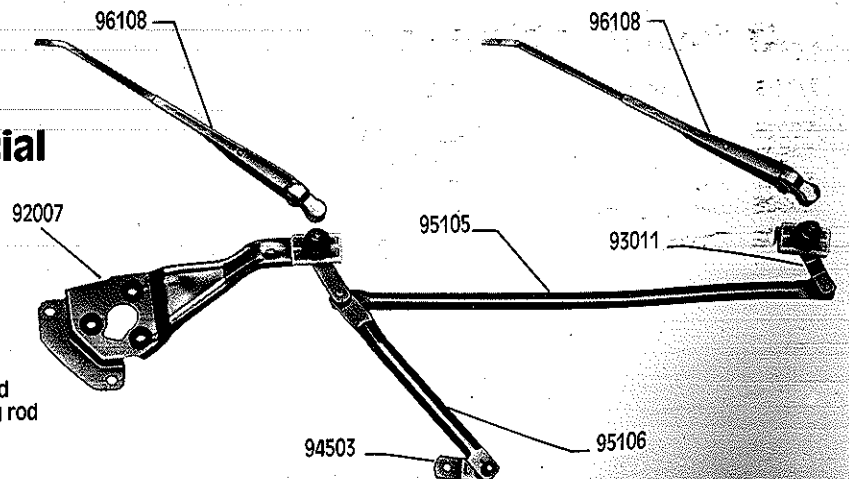
## FIAT 850 Normale - Super - Special

### 91382 Completo

- 92007 Piastra
- 93011 Perno completo
- 94503 Manovella
- 95105 Biella tirante
- 95106 Biella motore
- 96108 Braccio Nero

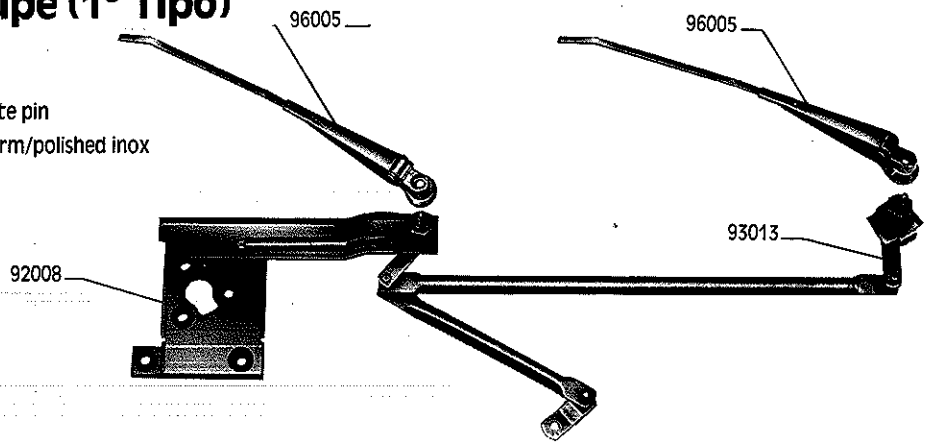
### 91382 Assembly

- 92007 Plate
- 93011 Complete pin
- 94503 Crank
- 95105 Tie connecting rod
- 95106 Motor connecting rod
- 96108 Wiper arm/black



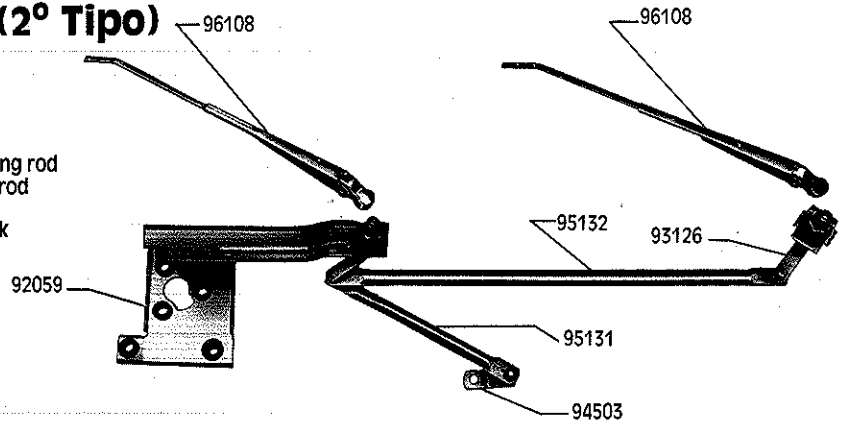
## FIAT 850 Coupé - Sport-Coupé (1° Tipo)

<b>92008</b> Piastra	<b>92008</b> Plate
<b>93013</b> Perno completo	<b>93013</b> Complete pin
<b>96005</b> Braccio Lucido	<b>96005</b> Wiper arm/polished inox



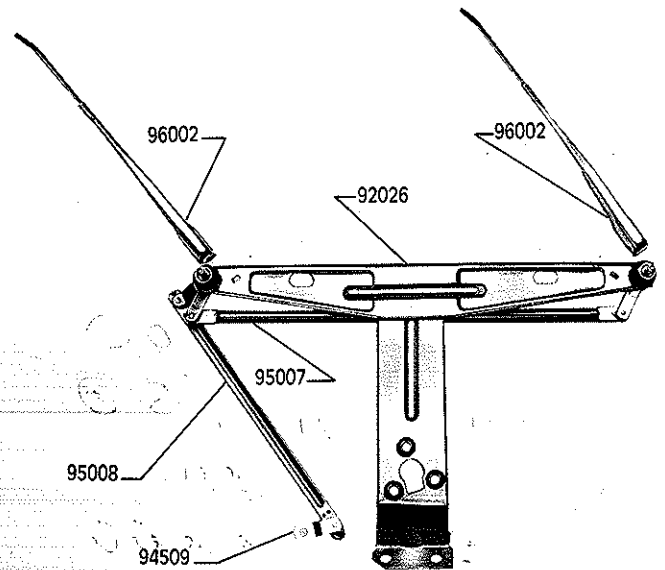
## FIAT 850 Coupé - Sport-Coupé (2° Tipo)

<b>91059</b> Completo	<b>91059</b> Assembly
<b>92059</b> Piastra	<b>92059</b> Plate
<b>93126</b> Perno completo	<b>93126</b> Complete pin
<b>95131</b> Biella motore	<b>95131</b> Motor connecting rod
<b>95132</b> Biella tirante	<b>95132</b> Tie connecting rod
<b>96108</b> Braccio Nero	<b>96108</b> Wiper arm/black



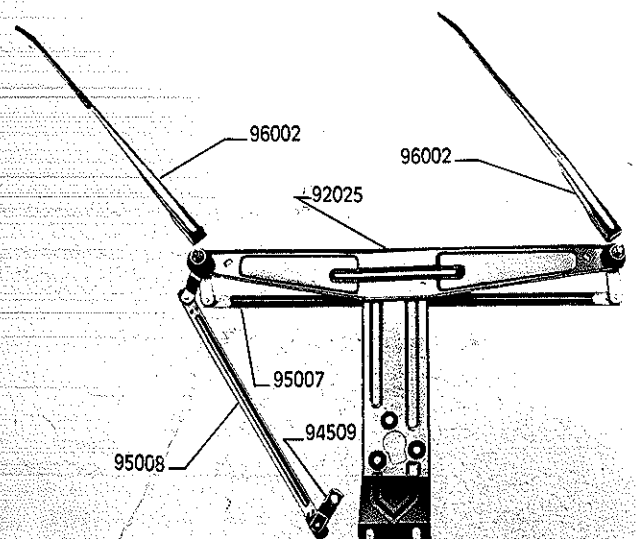
## FIAT 1100 H - 1200

<b>91344</b> Completo	<b>91344</b> Assembly
<b>92026</b> Piastra	<b>92026</b> Plate
<b>94509</b> Manovella	<b>94509</b> Crank
<b>95007</b> Biella tirante	<b>95007</b> Tie connecting rod
<b>95008</b> Biella motore	<b>95008</b> Motor connecting rod
<b>96002</b> Braccio Lucido	<b>96002</b> Wiper arm/polished inox



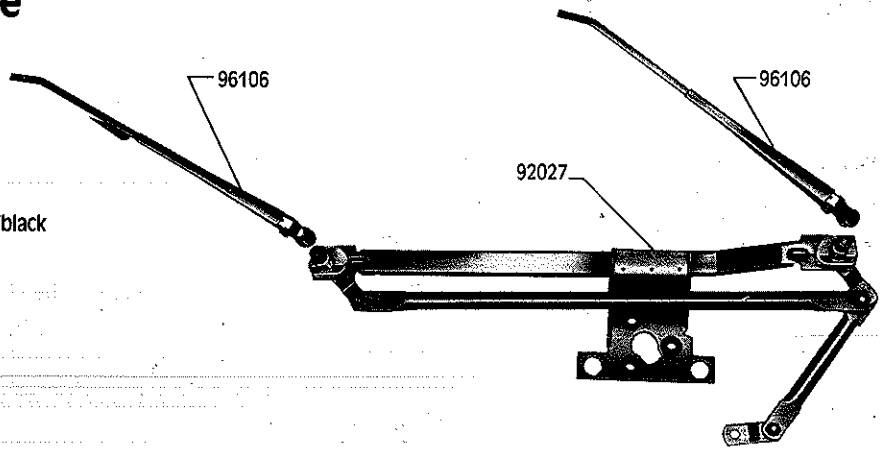
## FIAT 1100 D - 1100 E - 1100 Familiare

<b>91336</b> Completo	<b>91336</b> Assembly
<b>92025</b> Piastra	<b>92025</b> Plate
<b>94509</b> Manovella	<b>94509</b> Crank
<b>95007</b> Biella tirante	<b>95007</b> Tie connecting rod
<b>95008</b> Biella motore	<b>95008</b> Motor connecting rod
<b>96002</b> Braccio Lucido	<b>96002</b> Wiper arm/polished inox



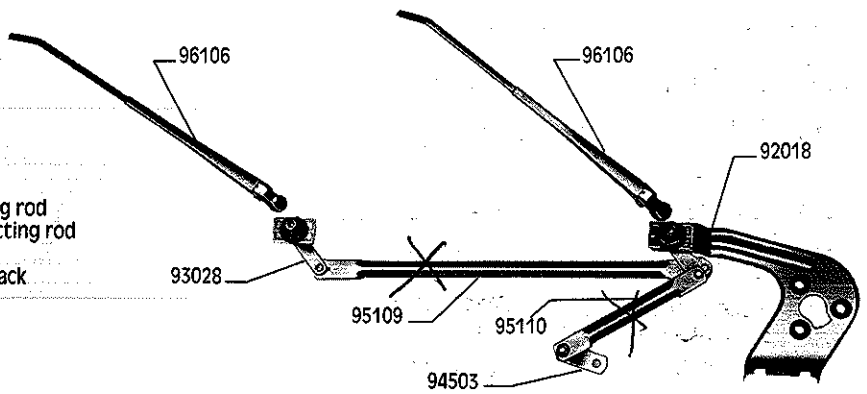
## FIAT 1100 R - 1100 R Familiare

- |                      |                       |
|----------------------|-----------------------|
| <b>92027</b> Piastra | <b>92027</b> Plate    |
| 96106 Braccio Nero   | 96106 Wiper arm/black |



## FIAT 126 - 126 Abarth

- |                       |                            |
|-----------------------|----------------------------|
| <b>91517</b> Completo | <b>91517</b> Assembly      |
| 92018 Piastra         | 92018 Plate                |
| 93028 Perno completo  | 93028 Complete pin         |
| 94503 Manovella       | 94503 Crank                |
| 95109 Biella tirante  | 95109 Tie connecting rod   |
| 95110 Biella motore   | 95110 Motor connecting rod |
| 96106 Braccio Nero    | 96106 Wiper arm/black      |

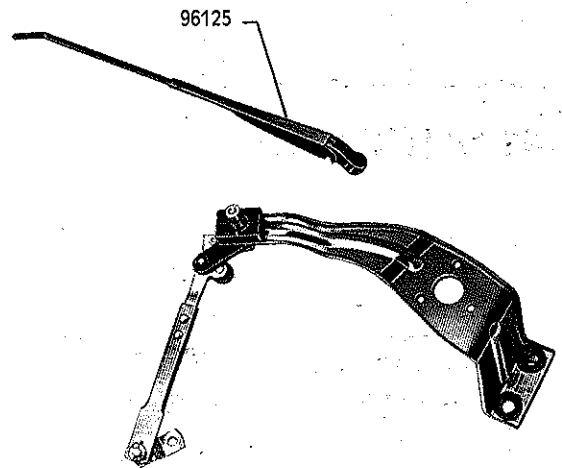


MOTORINO TERGI 21218

## FIAT PANDA 30-45

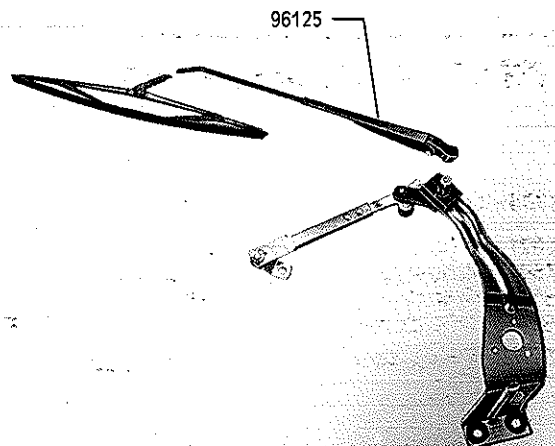
- |                       |                       |
|-----------------------|-----------------------|
| <b>91069</b> Completo | <b>91069</b> Assembly |
| 96125 Braccio Nero    | 96125 Wiper arm/black |

900  
PANDA 750  
1000  
1100



## FIAT PANDA 30-45 (Impianto tipo Bosch)

- |                       |                       |
|-----------------------|-----------------------|
| <b>91083</b> Completo | <b>91083</b> Assembly |
| 96125 Braccio Nero    | 96125 Wiper arm/black |



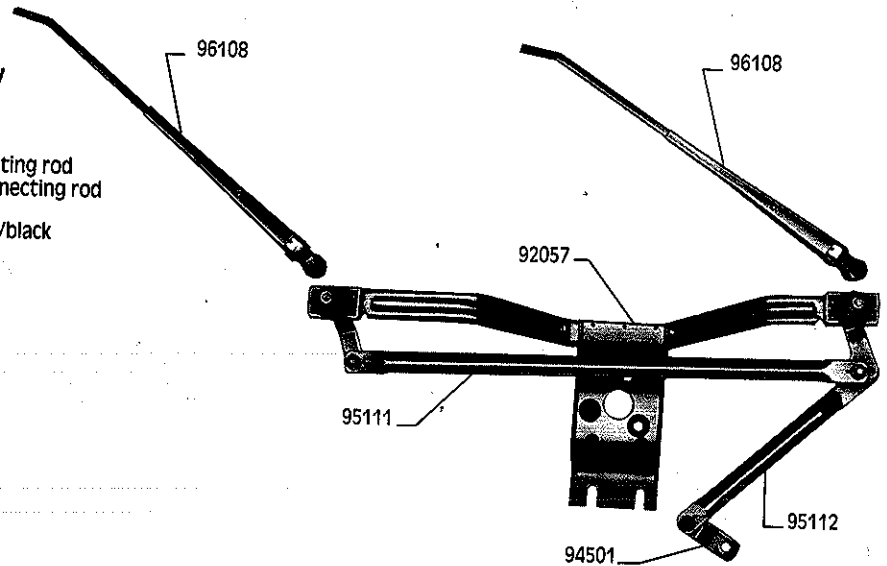
## FIAT 127 Berlina - Special - Confort - Confort Lusso - Fiorino

### 91057 Completo

- 92057 Piastra
- 94501 Manovella
- 95111 Biella tirante
- 95112 Biella motore
- 96108 Braccio Nero

### 91057 Assembly

- 92057 Plate
- 94501 Crank
- 95111 Tie connecting rod
- 95112 Motor connecting rod
- 96108 Wiper arm/black



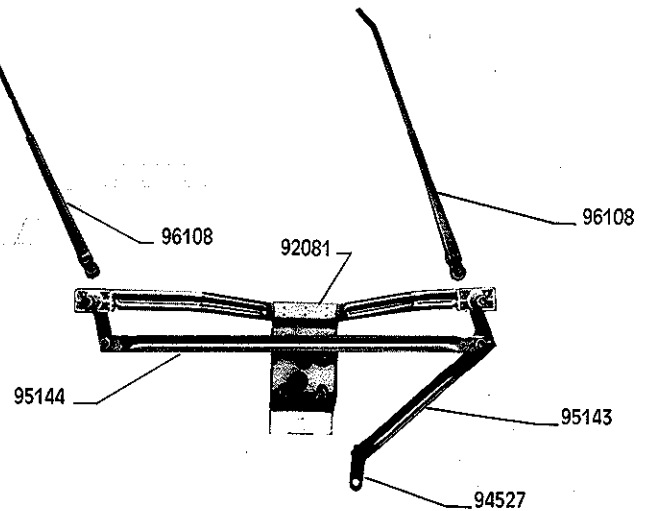
## FIAT 127 Berlina - Special - Confort - Confort Lusso - Fiorino - con piolo Ø 8

### 91081 Completo

- 92081 Piastra
- 94527 Manovella
- 95144 Biella tirante
- 95143 Biella motore
- 96108 Braccio Nero

### 91081 Assembly

- 92081 Plate
- 94527 Crank
- 95144 Tie connecting rod
- 95143 Motor connecting rod
- 96108 Wiper arm/black



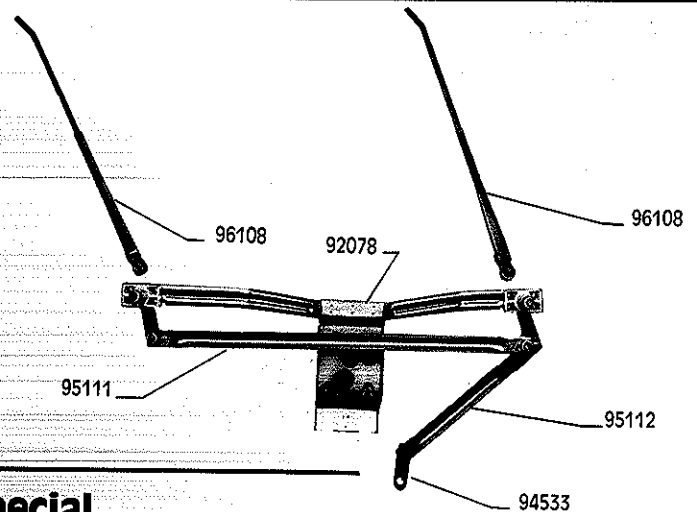
## FIAT 147/127 Diesel

### 91078 Completo

- 92078 Piastra
- 95111 Biella tirante
- 95112 Biella motore
- 94533 Piastrina motore
- 96108 Braccio Nero

### 91078 Assembly

- 92078 Plate
- 95111 Tie connecting rod
- 95112 Motor connecting rod
- 94533 Plate motor
- 96108 Wiper arm/black



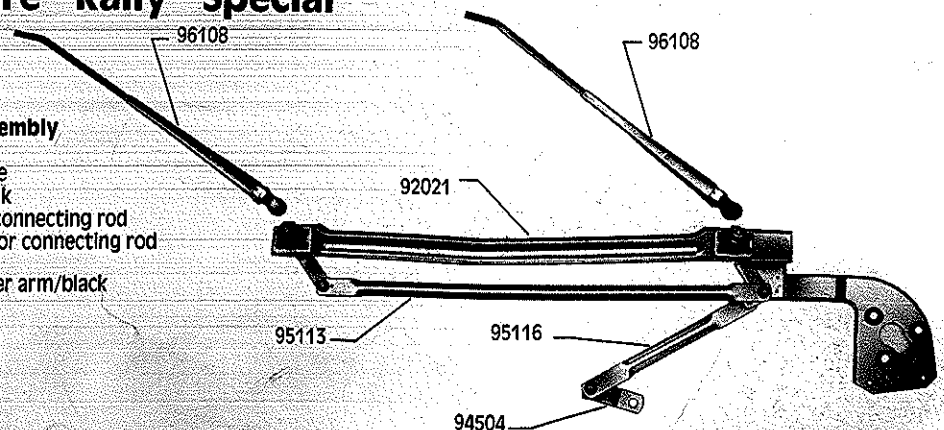
## FIAT 128 Berlina - Familiare - Rally - Special

### 91385 Completo

- 92021 Piastra
- 94504 Manovella
- 95113 Biella tirante
- 95116 Biella motore
- 96108 Braccio Nero

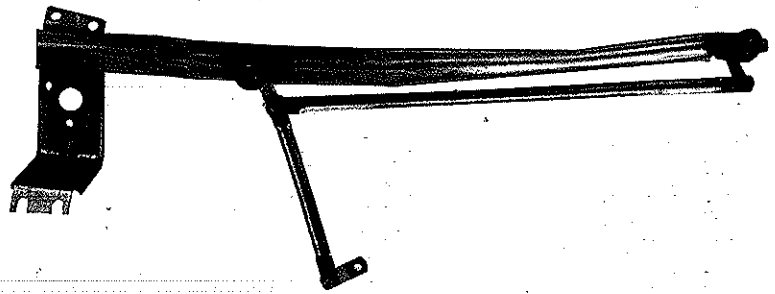
### 91385 Assembly

- 92021 Plate
- 94504 Crank
- 95113 Tie connecting rod
- 95116 Motor connecting rod
- 96108 Wiper arm/black



## FIAT 124 Spider

91584 Completo



Rif. M.M. - TGE 117 BB

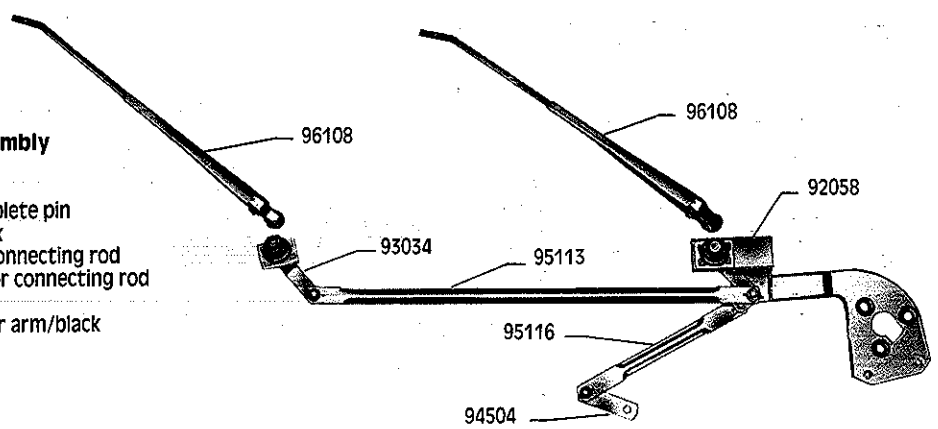
## FIAT 128 Confort - Confort Lusso

**91058 Completo**

- 92058 Piastra
- 93034 Perno completo
- 94504 Manovella
- 95113 Biella tirante
- 95116 Biella motore
- 96108 Braccio Nero

**91058 Assembly**

- 92058 Plate
- 93034 Complete pin
- 94504 Crank
- 95113 Tie connecting rod
- 95116 Motor connecting rod
- 96108 Wiper arm/black



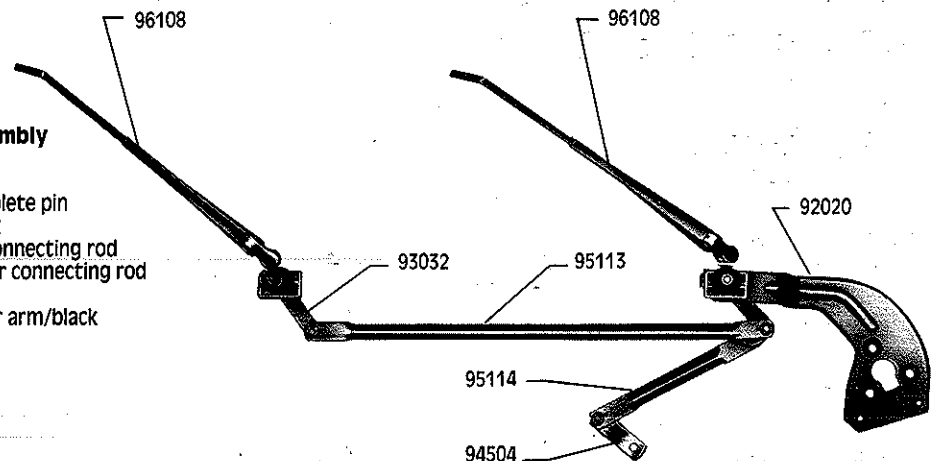
## FIAT 128 Coupé - 128 3P

**91515 Completo**

- 92020 Piastra
- 93032 Perno completo
- 94504 Manovella
- 95113 Biella tirante
- 95114 Biella motore
- 96108 Braccio Nero

**91515 Assembly**

- 92020 Plate
- 93032 Complete pin
- 94504 Crank
- 95113 Tie connecting rod
- 95114 Motor connecting rod
- 96108 Wiper arm/black



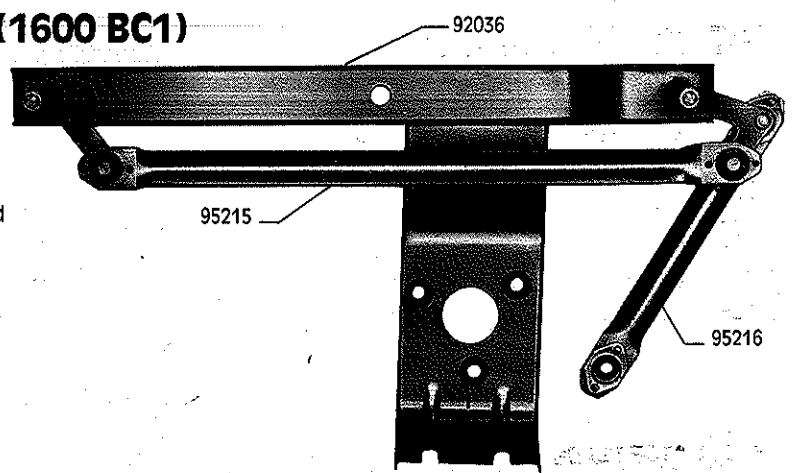
## FIAT 124 Sport - Coupé (1400 BC) (1600 BC1)

**91518 Completo**

- 92036 Piastra
- 95215 Biella tirante
- 95216 Biella motore

**91518 Assembly**

- 92036 Plate
- 95215 Tie connecting rod
- 95216 Motor connecting rod

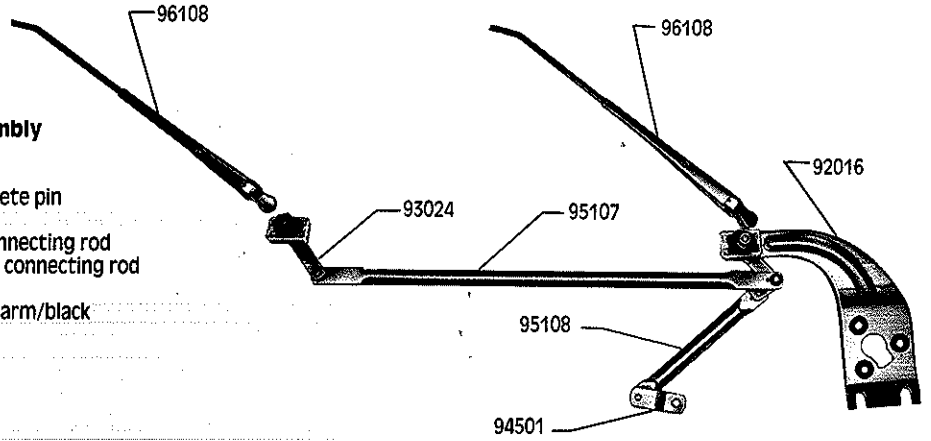


Rif. M.M. - TGE 120 AB



## FIAT 124 Berlina - Familiare - Special Special T - Special T 1600

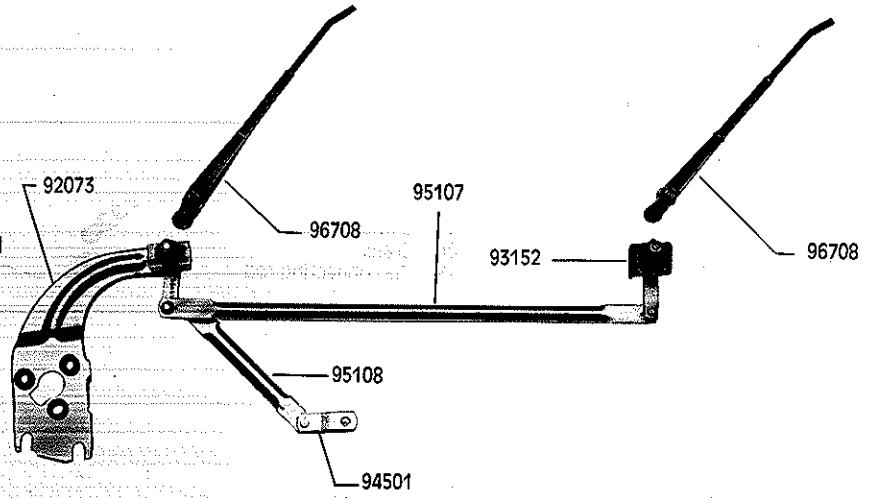
<b>91337</b>	<b>Completo</b>	<b>91337</b>	<b>Assembly</b>
92016	Piastra	92016	Plate
93024	Perno completo	93024	Complete pin
94501	Manovella	94501	Crank
95107	Biella tirante	95107	Tie connecting rod
95108	Biella motore	95108	Motor connecting rod
96108	Braccio Nero	96108	Wiper arm/black



Rif. M.M. - TGE 115 AA

## FIAT 124 (Guida dx)

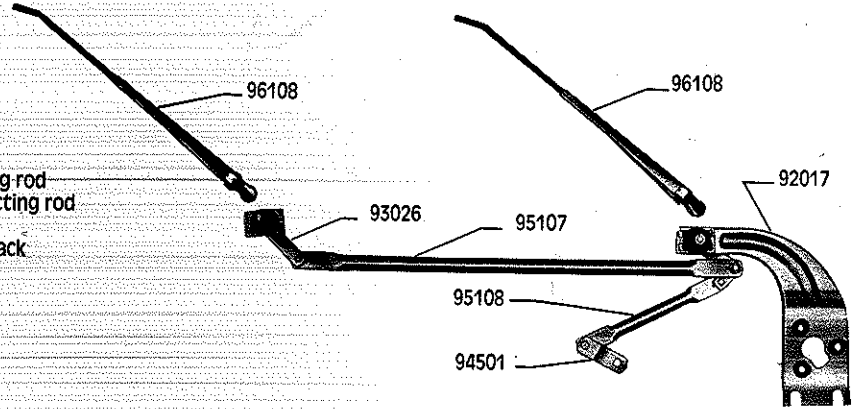
<b>91073</b>	<b>Completo</b>	<b>91073</b>	<b>Assembly</b>
92073	Piastra	92073	Plate
93152	Perno	93152	Pin
95107	Biella tirante	95107	Tie connecting rod
95108	Biella motore	95108	Motor connecting rod
94501	Manovella	94501	Crank
96708	Braccio Nero	96708	Wiper arm/black



Rif. M.M. - TGE 115 E

## FIAT 125 Berlina - Special - POLSKY FIAT 125 P

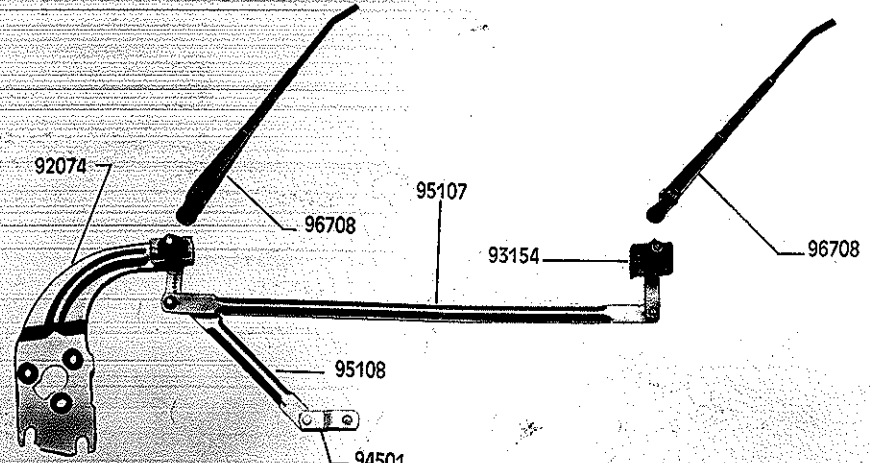
<b>91339</b>	<b>Completo</b>	<b>91339</b>	<b>Assembly</b>
92017	Piastra	92017	Plate
93026	Perno completo	93026	Complete pin
94501	Manovella	94501	Crank
95107	Biella tirante	95107	Tie connecting rod
95108	Biella motore	95108	Motor connecting rod
96108	Braccio Nero	96108	Wiper arm/black



Rif. M.M. - TGE 113 AB

## FIAT 125 (Guida dx)

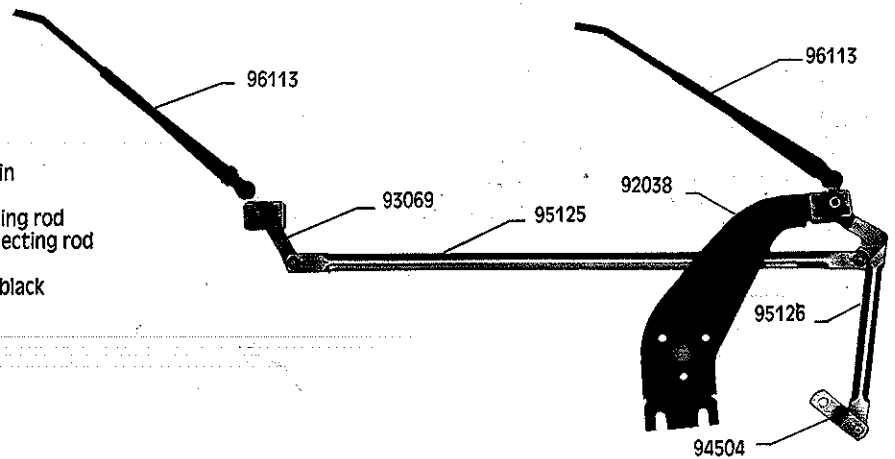
<b>91074</b>	<b>Completo</b>	<b>91074</b>	<b>Assembly</b>
92074	Piastra	92074	Plate
93154	Perno	93154	Pin
95107	Biella tirante	95107	Tie connecting rod
95108	Biella motore	95108	Motor connecting rod
94501	Manovella	94501	Crank
96708	Braccio Nero	96708	Wiper arm/black



Rif. M.M. - TGE 119 BB

## FIAT 131 Berlina - Familiare - Special - Lusso - Panorama Diesel (piolo Ø 6)

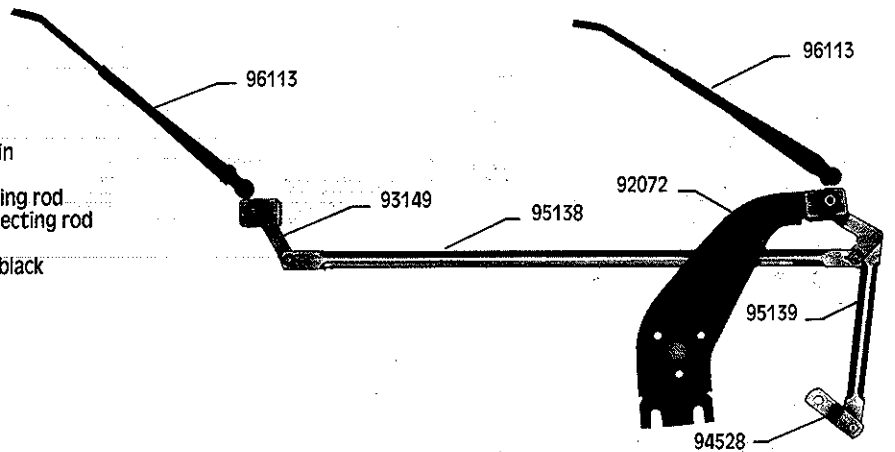
<b>91530 Completo</b>	<b>91530 Assembly</b>
92038 Piastra	92038 Plate
93069 Perno completo	93069 Complete pin
94504 Manovella	94504 Crank
95125 Biella tirante	95125 Tie connecting rod
95126 Biella motore	95126 Motor connecting rod
96113 Braccio Nero	96113 Wiper arm/black



Rif. M.M. - TGE 174 N

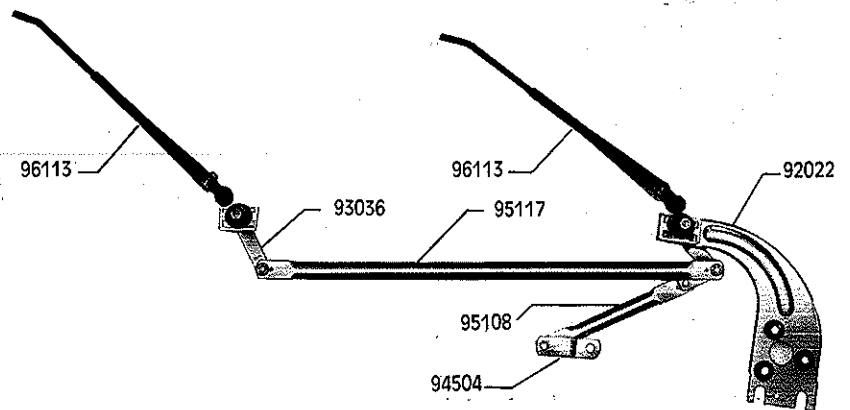
## FIAT 131 Berlina - Familiare - Special - Lusso - Panorama - Diesel (piolo Ø 8)

<b>91072 Completo</b>	<b>91072 Assembly</b>
92072 Piastra	92072 Plate
93149 Perno completo	93149 Complete pin
94528 Manovella	94528 Crank
95138 Biella tirante	95138 Tie connecting rod
95139 Biella motore	95139 Motor connecting rod
96113 Braccio Nero	96113 Wiper arm/black



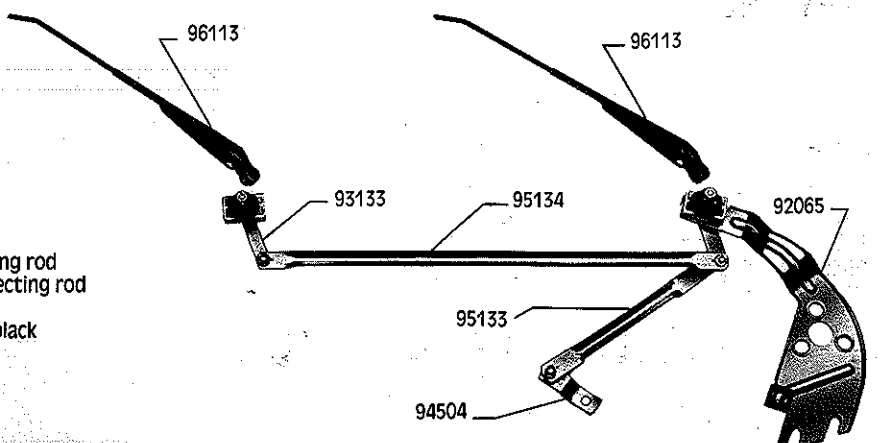
## FIAT 132 Berlina - Special - Berlina GL - Special GLS e FIAT 132 - 2000

<b>91360 Completo</b>	<b>91360 Assembly</b>
92022 Piastra	92022 Plate
93036 Perno completo	93036 Complete pin
94504 Manovella	94504 Crank
95117 Biella tirante	95117 Tie connecting rod
95108 Biella motore	95108 Motor connecting rod
96113 Braccio Nero	96113 Wiper arm/black



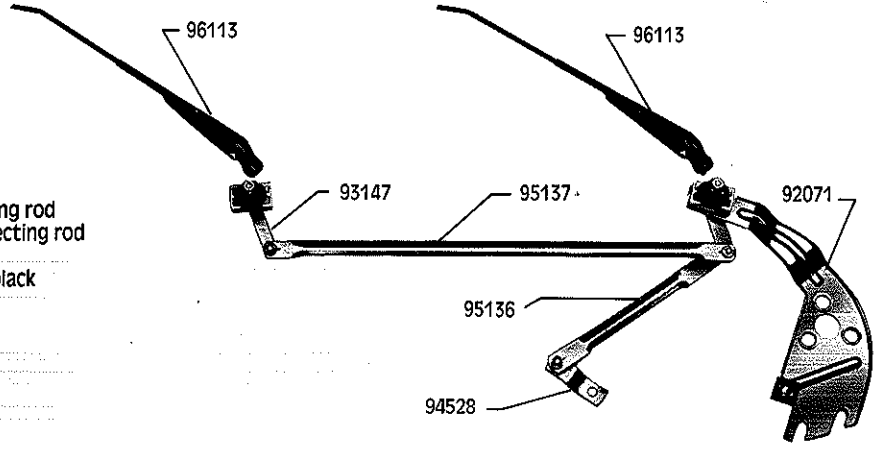
## FIAT RITMO

<b>91065 Completo</b>	<b>91065 Assembly</b>
92065 Piastra	92065 Plate
93133 Perno	93133 Pin
94504 Manovella	94504 Crank
95133 Biella tirante	95133 Tie connecting rod
95134 Biella motore	95134 Motor connecting rod
96113 Braccio Nero	96113 Wiper arm/black



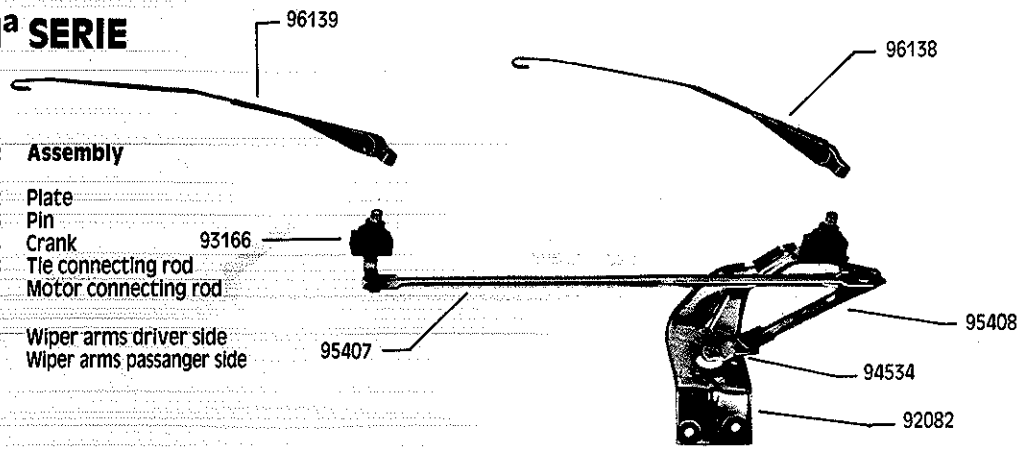
## FIAT RITMO (2° Tipo Ø 8)

91071 Completo	91071 Assembly
92071 Piastra	92071 Plate
93147 Perno	93147 Pin
94528 Manovella	94527 Crank
95137 Biella tirante	95137 Tie connecting rod
95136 Biella motore	95136 Motor connecting rod
96113 Braccio Nero	96113 Wiper arm/black



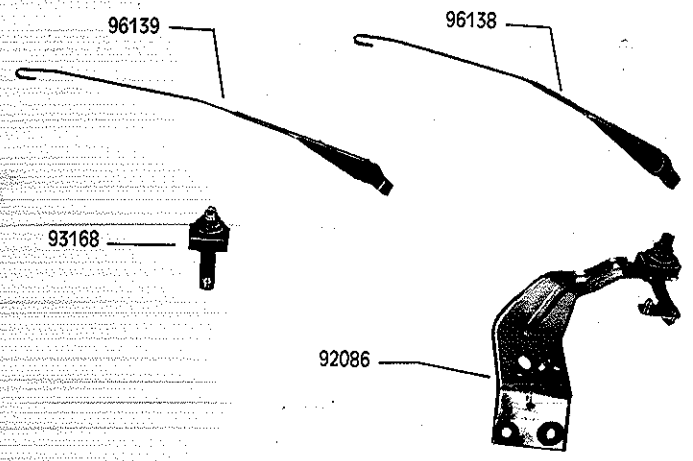
## FIAT RITMO DIESEL - IIIª SERIE

91082 Completo	91082 Assembly
92082 Piastra	92082 Plate
93166 Perno	93166 Pin
94534 Manovella	94534 Crank
95408 Biella tirante	95408 Tie connecting rod
95407 Biella motore	95407 Motor connecting rod
96138 Braccio lato guida	96138 Wiper arms driver side
96139 Braccio lato passeggero	96139 Wiper arms passenger side



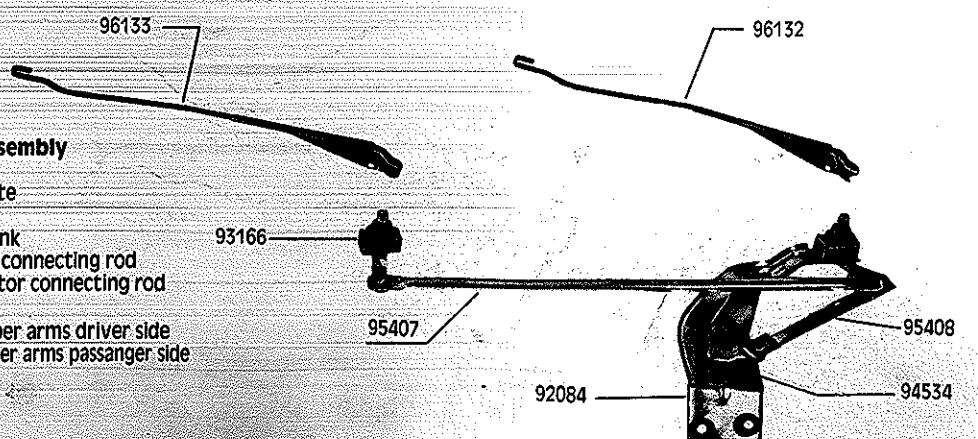
## FIAT RITMO DIESEL - IIIª SERIE (con piolo sferico Ø 10)

Completo	Assembly
92086 Piastra	92086 Plate
93168 Perno	93168 Pin
96138 Braccio lato guida	96138 Wiper arms driver side
96139 Braccio lato passeggero	96139 Wiper arms passenger side



## FIAT REGATA

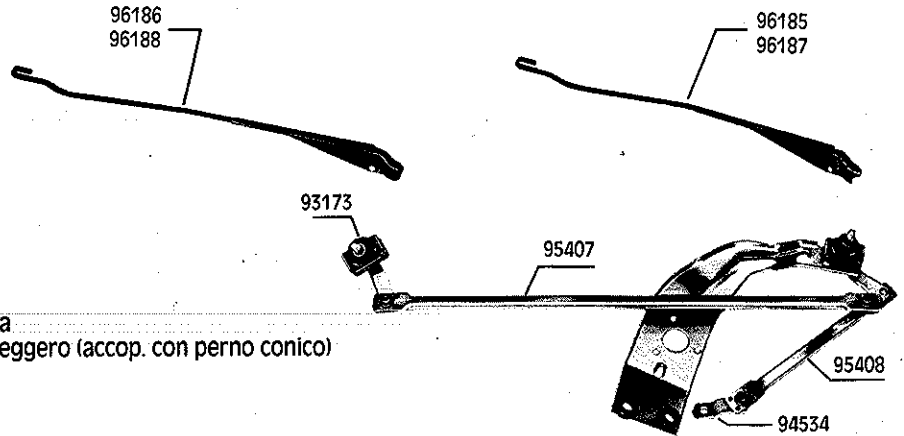
91084 Completo	91084 Assembly
92084 Piastra	92084 Plate
93166 Perno	93166 Pin
94534 Manovella	94534 Crank
95408 Biella tirante	95408 Tie connecting rod
95407 Biella motore	95407 Motor connecting rod
96132 Braccio lato guida	96132 Wiper arms driver side
96133 Braccio lato passeggero	96133 Wiper arms passenger side



## FIAT RITMO E REGATA '86 (Piolo sferico Ø 12)

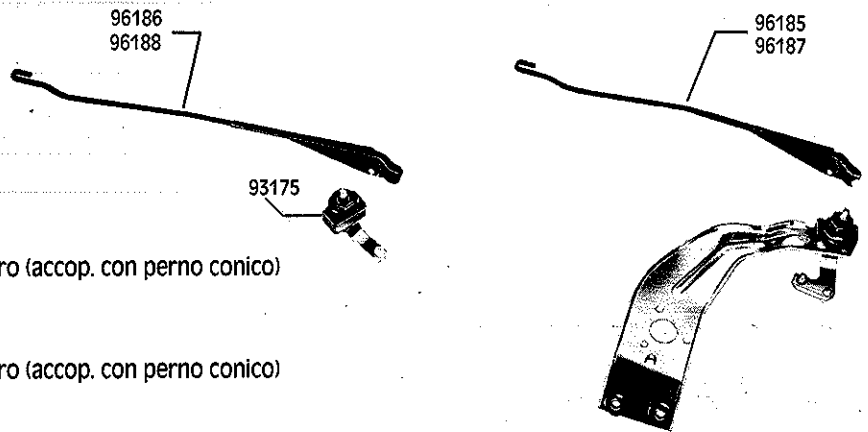
### 91089 Completo

92089	Piastra	RITMO III <sup>a</sup> SERIE
93173	Perno	96186 Braccio lato guida
95407	Biella	96185 Braccio lato passeggero (accop. con perno conico)
95408	Biella	
94534	Manovella	
		REGATA
		96188 Braccio lato guida
		96187 Braccio lato passeggero (accop. con perno conico)



## FIAT RITMO E REGATA '86 (Piolo sferico Ø 10)

92090	Piastra	RITMO III <sup>a</sup> SERIE
93175	Perno	96186 Braccio lato guida
		96185 Braccio lato passeggero (accop. con perno conico)
		REGATA
		96188 Braccio lato guida
		96187 Braccio lato passeggero (accop. con perno conico)



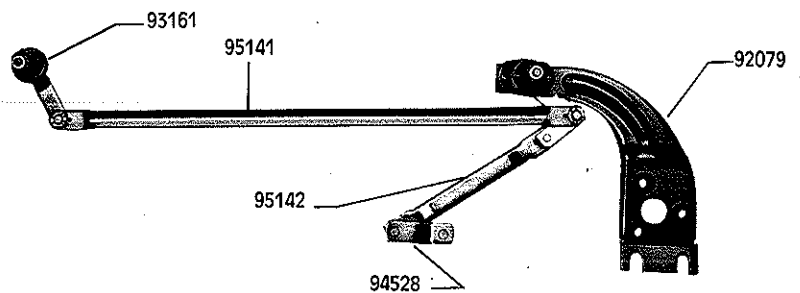
## FIAT ARGENTA 132-2000

### 91079 Completo

92079	Piastra
93161	Perno
95141	Biella tirante
95142	Biella motore
94528	Manovella
96113	Braccio

### 91079 Assembly

92079	Plate
93161	Pin
95141	Tie connecting rod
95142	Motor connecting rod
94527	Crank
96113	Wiper arm



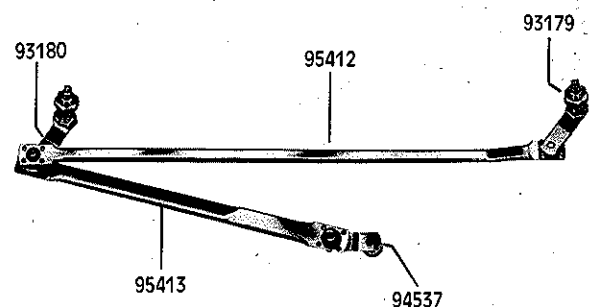
## FIAT CROMA

### 91092 Completo

94537	Manovella motore
93180	Perno doppio
93179	Perno semplice
95413	Biella motore
95412	Biella tirante

### 91092 Assembly

94537	Motor crank
93180	Double pin
93179	Simple pin
95413	Motor connecting rod
95412	Tie connecting rod

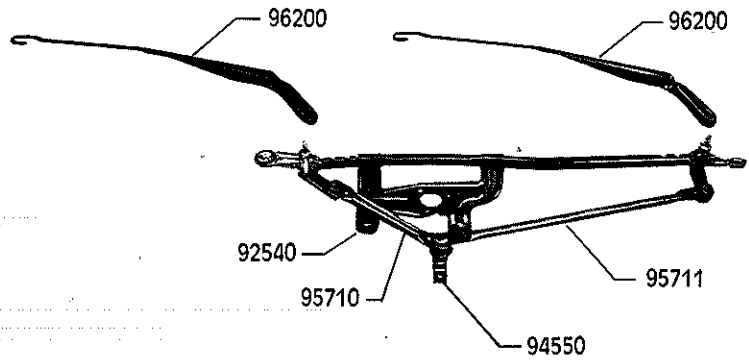




## FIAT TIPO - DEDRA

**91540 Completo**

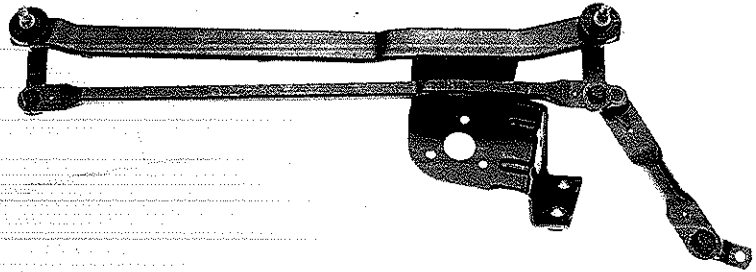
- 94550 Manovella
- 95711 Biella sinistra
- 95710 Biella destra
- 96200 Braccio



Rif. M.M. - TGE 201

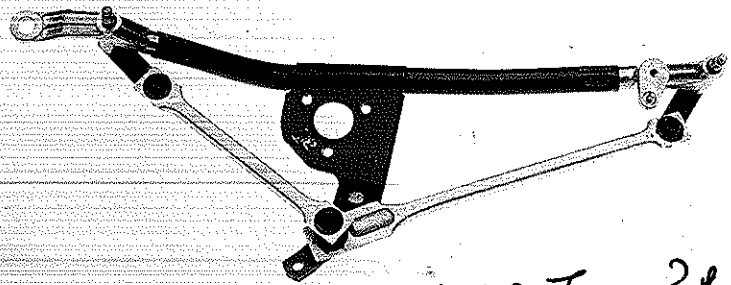
## FIAT CINQUECENTO / SEI CENTO

**91551 Completo**



## FIAT PUNTO '93

**91559 Completo**



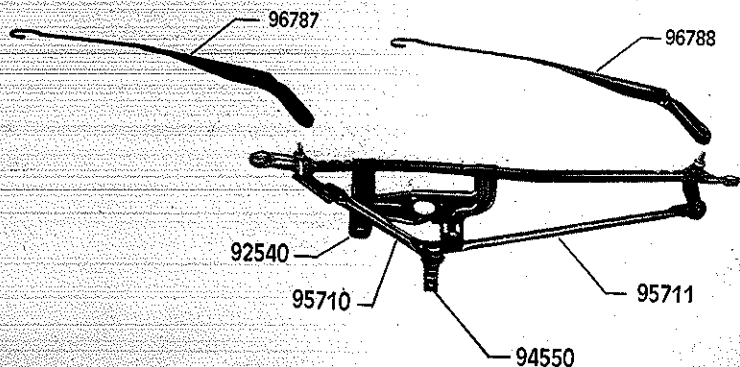
LANCIA  
/ 1° SERIE

MOT. 21224

## LANCIA DEDRA

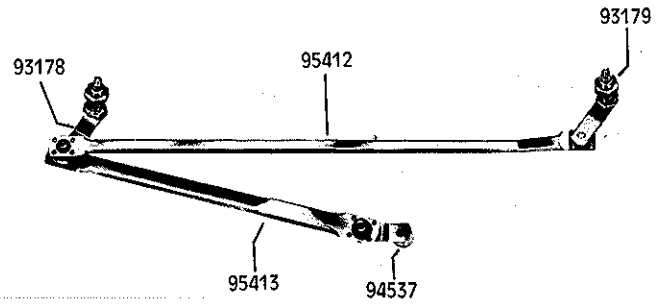
**91548 Completo**

- 94550 Manovella
- 95711 Biella sinistra
- 95710 Biella destra
- 96788 Braccio lato guida
- 96787 Braccio lato passeggero



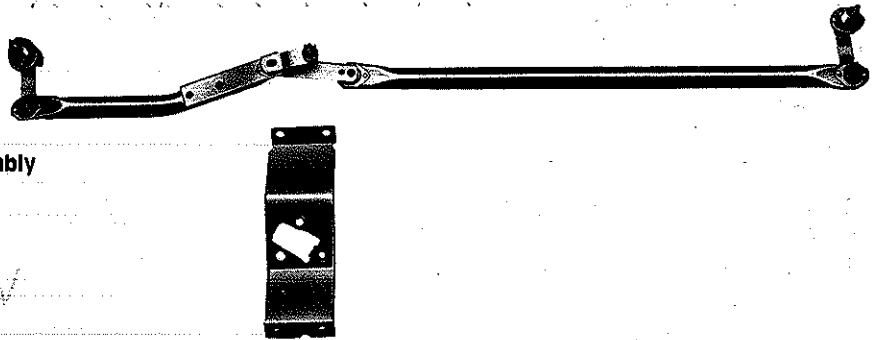
## LANCIA THEMA

<b>91091</b>	<b>Completo</b>	<b>91091</b>	<b>Assembly</b>
94537	Manovella motore	94537	Motor crank
93178	Perno doppio	93178	Double pin
93179	Perno semplice	93179	Simple pin
95413	Biella motore	95413	Motor connecting rod
95412	Biella tirante	95412	Tie connecting rod



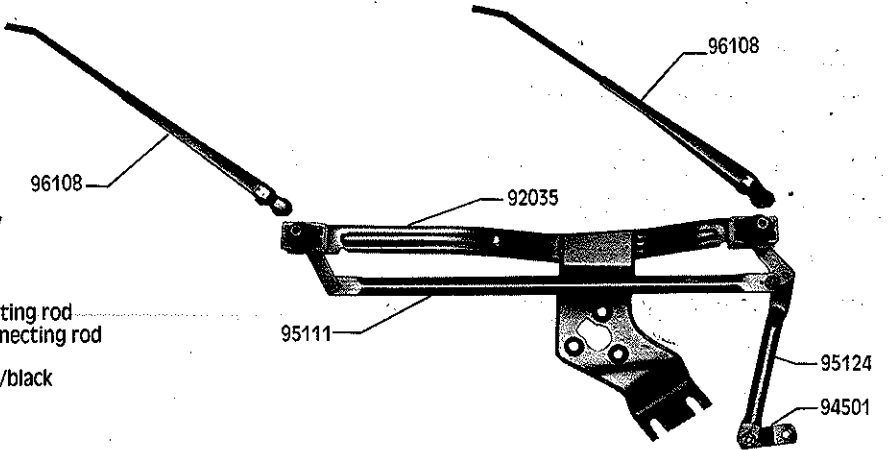
## AUTOBIANCHI PRIMULA

<b>91066</b>	<b>Completo</b>	<b>91066</b>	<b>Assembly</b>
--------------	-----------------	--------------	-----------------



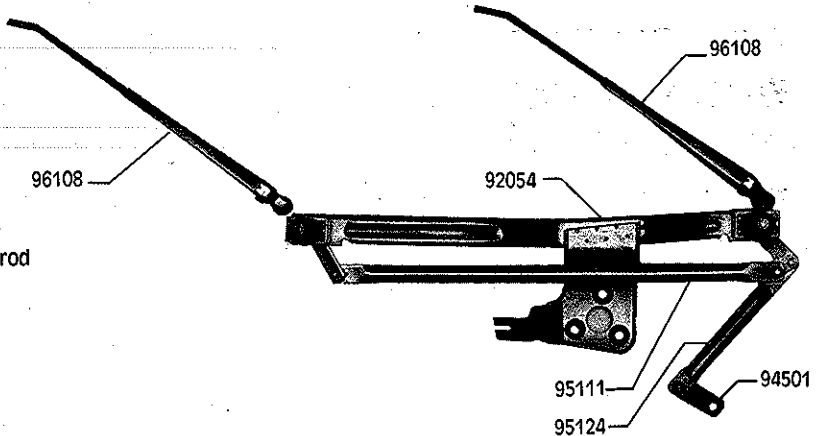
## AUTOBIANCHI A 112 Berlina - Abarth

<b>91512</b>	<b>Completo</b>	<b>91512</b>	<b>Assembly</b>
92035	Piastra	92035	Plate
94501	Manovella	94501	Crank
95111	Biella tirante	95111	Tie connecting rod
95124	Biella motore	95124	Motor connecting rod
96108	Braccio Nero	96108	Wiper arm/black



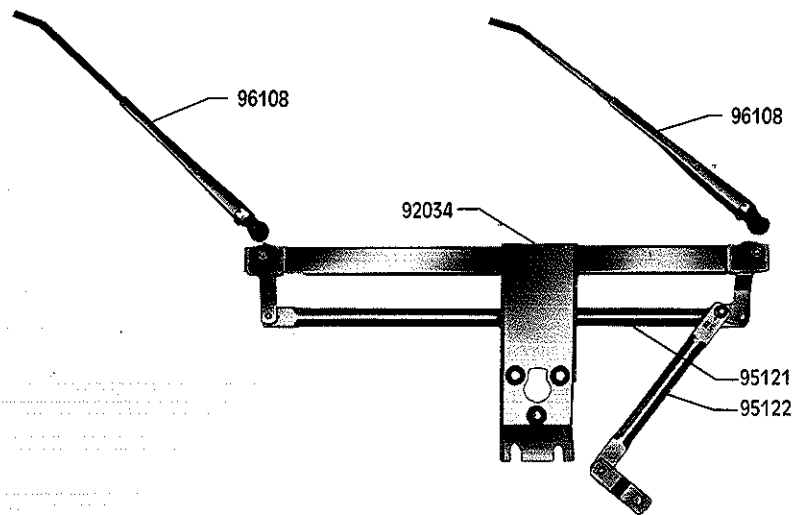
## AUTOBIANCHI A 112 Elegant

<b>91054</b>	<b>Completo</b>	<b>91054</b>	<b>Assembly</b>
92054	Piastra	92054	Plate
94501	Manovella	94501	Crank
95111	Biella tirante	95111	Tie connecting rod
95124	Biella motore	95124	Motor connecting rod
96108	Braccio Nero	96108	Wiper arm/black



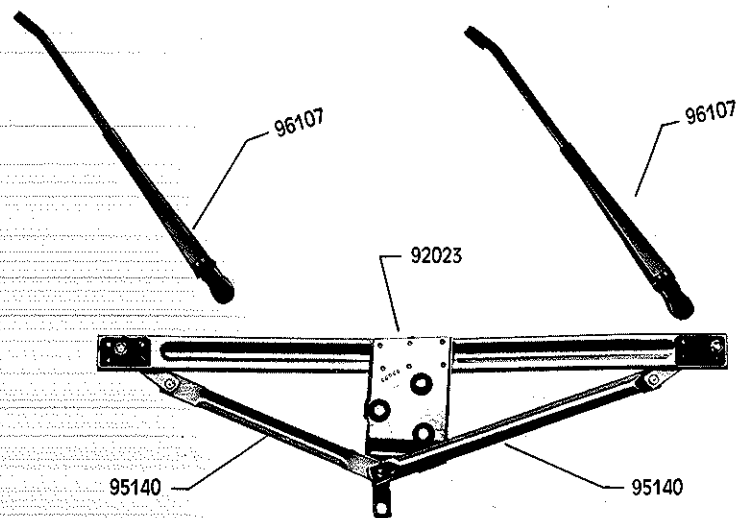
## AUTOBIANCHI A 111

<b>91390</b>	<b>Completo</b>	<b>91390</b>	<b>Assembly</b>
92034	Piastra	92034	Plate
95121	Biella tirante	95121	Tie connecting rod
95122	Biella motore	95122	Motor connecting rod
96108	Braccio Nero	96108	Wiper arms/black



## ALFA ROMEO Alfesud (impianto Giargia-Marelli)

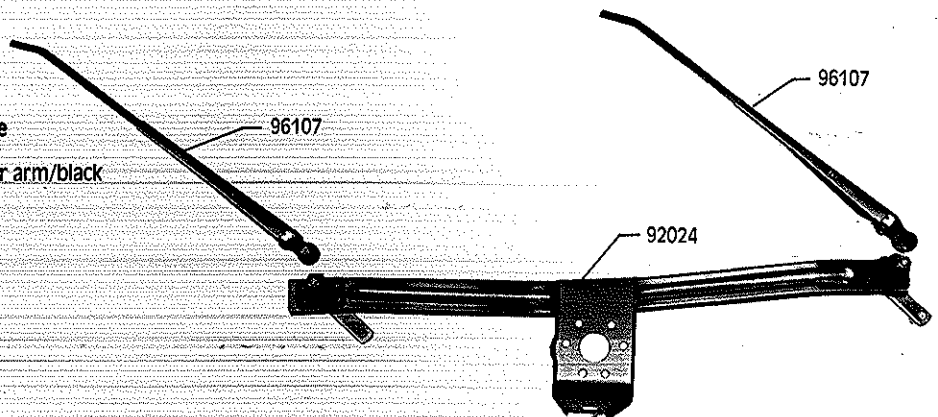
<b>91023</b>	<b>Completo</b>	<b>91023</b>	<b>Assembly</b>
92023	Piastra	92023	Plate
95140	Biella dx-sx	95140	Rod dx-sx
96107	Braccio Nero	96107	Wiper arm/black



Rif. M.M. - TGE 177 A

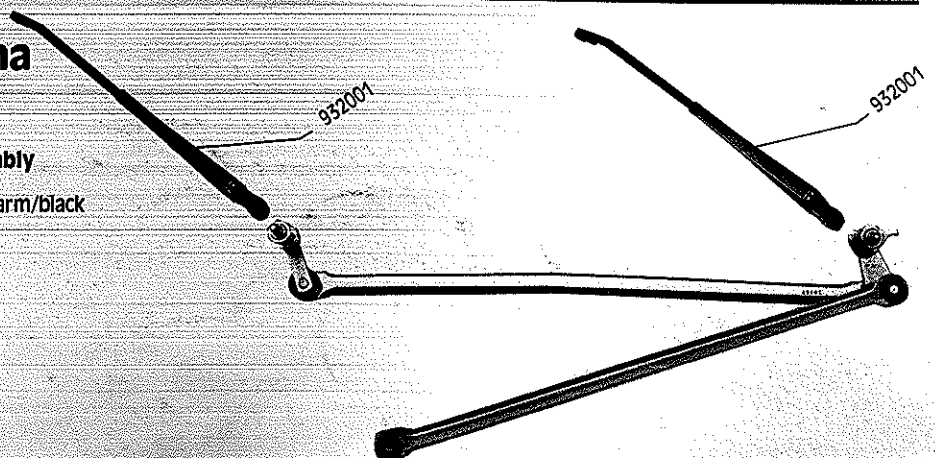
## ALFA ROMEO Alfesud (impianto Bosch)

<b>92024</b>	<b>Piastra</b>	<b>92024</b>	<b>Plate</b>
96107	Braccio Nero	96107	Wiper arm/black



## ALFA ROMEO Alfetta Berlina (impianto Bosch)

<b>91526</b>	<b>Completo</b>	<b>91526</b>	<b>Assembly</b>
932001	Braccio Nero	932001	Wiper arm/black



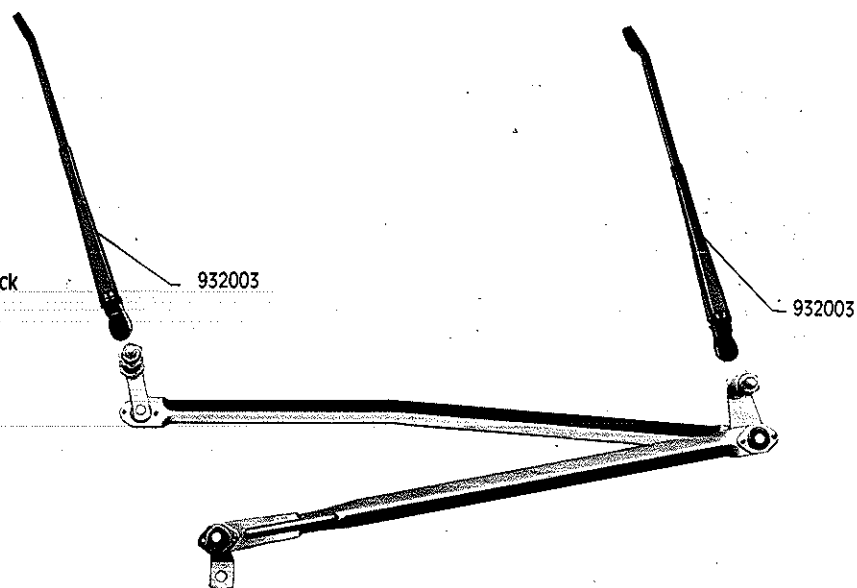
## ALFA ROMEO Alfetta Berlina (impianto Marelli)

91056 Completo

91056 Assembly

932003 Braccio Nero

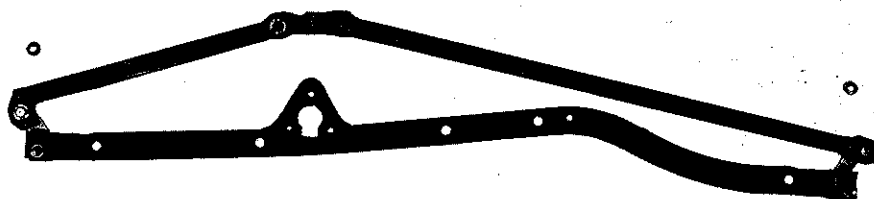
932003 Wiper arms/black



## ALFA ROMEO Giulia 1300-1600-1750-2000 (impianto Marelli)

91063 Completo

91063 Assembly



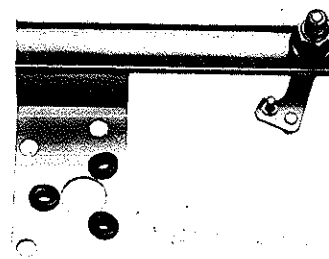
## FIAT CAMPAGNOLA

91093 Completo

91093 Assembly

92093 Piastra

92093 Plate



Rif. FIAT completo - 4708153

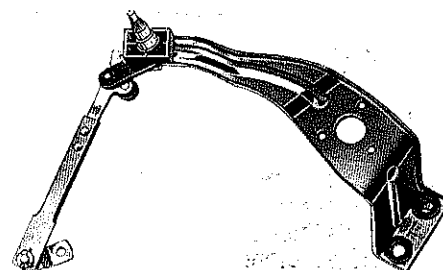
Rif. FIAT piastra - 9934988

Rif. M.M. - TGE 165 A

## SEAT MARBELLA GASOCAR

91583 Completo

91583 Assembly

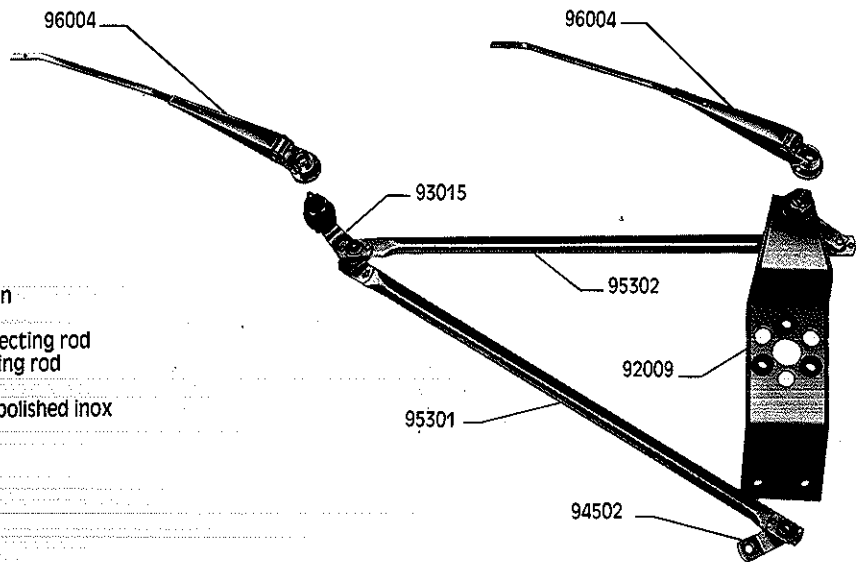




# FURGONI

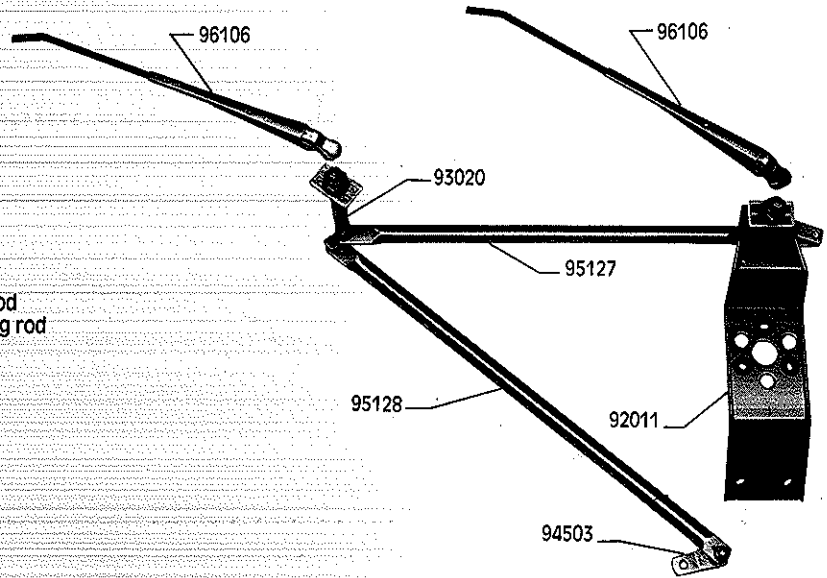
## FIAT 600 T - 850 T (1° Tipo)

91341	Completo	91341	Assembly
92009	Piastra	92009	Plate
93015	Perno completo	93015	Complete pin
94502	Manovella	94502	Crank
95301	Biella motore	95301	Motor connecting rod
95302	Biella tirante	95302	Tie connecting rod
96004	Braccio Lucido	96004	Wiper arm/polished inox



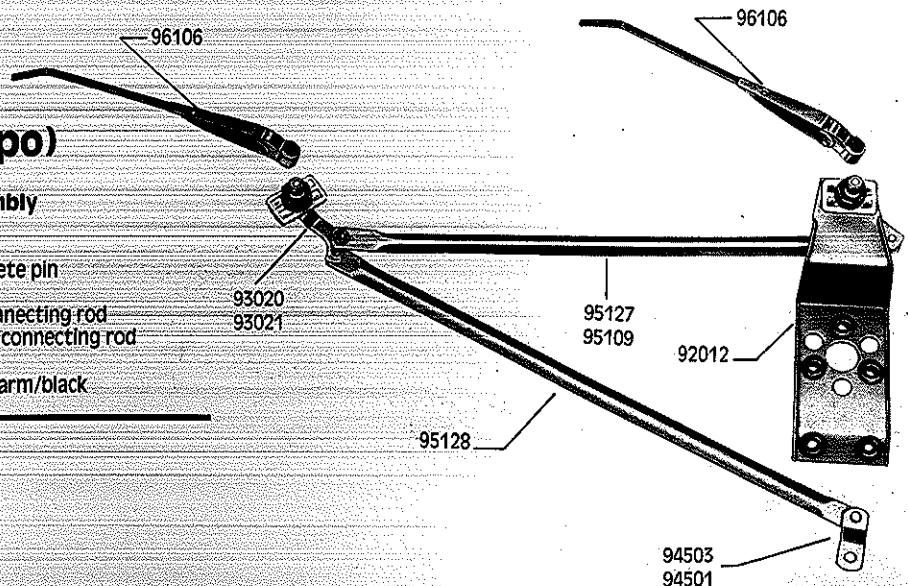
## FIAT 600 T - 850 T (2° Tipo)

91519	Completo	91519	Assembly
92011	Piastra	92011	Plate
93020	Perno completo	93020	Complete pin
94503	Manovella	94503	Crank
95127	Biella tirante	95127	Tie connecting rod
95128	Biella motore	95128	Motor connecting rod
96106	Braccio Nero	96106	Wiper arm/black



## FIAT 850 T Familiare (2° Tipo)

91520	Completo	91520	Assembly
92012	Piastra	92012	Plate
93020	Perno completo	93020	Complete pin
94503	Manovella	94503	Crank
95127	Biella tirante	95127	Tie connecting rod
95128	Biella motore	95128	Motor connecting rod
96106	Braccio Nero	96106	Wiper arm/black

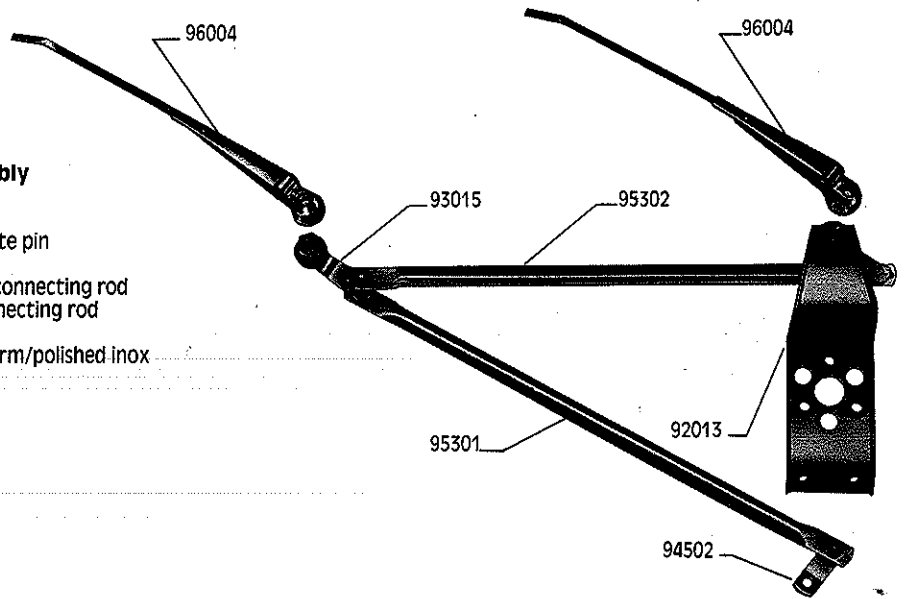


## FIAT 900 E

91520/A	Completo
92012	Piastra
93021	Perno
94501	Manovella
95109	Biella tirante
	Biella motore

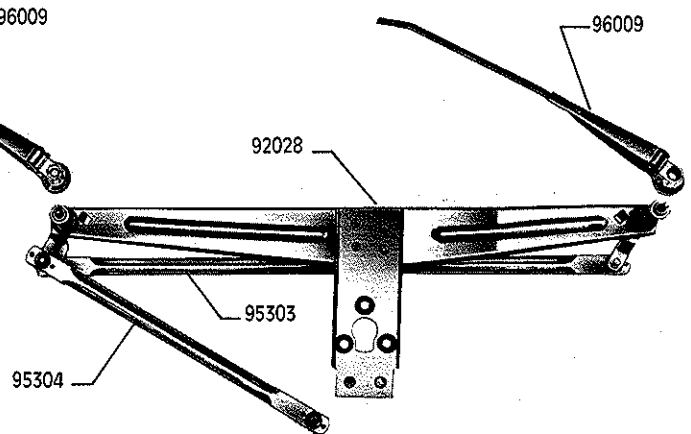
## FIAT 850 T (1° Tipo)

<b>91521</b>	<b>Completo</b>	<b>91521</b>	<b>Assembly</b>
92013	Piastra	92013	Plate
93015	Perno completo	93015	Complete pin
94502	Manovella	94502	Crank
95301	Biella motore	95301	Motor connecting rod
95302	Biella tirante	95302	Tie connecting rod
96004	Braccio Lucido	96004	Wiper arm/polished inox



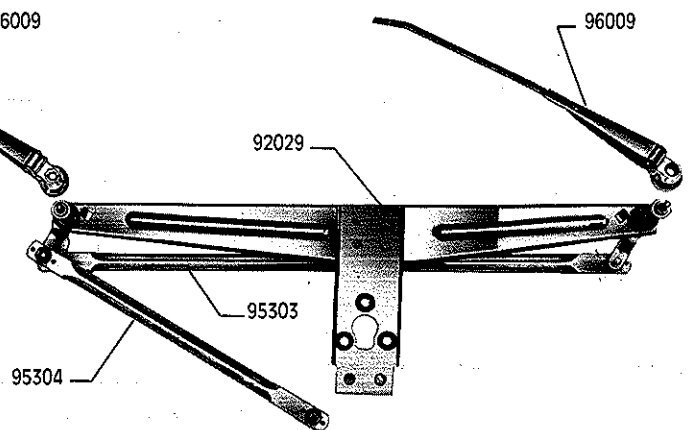
## FIAT 1100 TN (1° Tipo) Ø 8

<b>91343</b>	<b>Completo</b>	<b>91343</b>	<b>Assembly</b>
92028	Piastra	92028	Plate
95303	Biella tirante	95303	Tie connecting rod
95304	Biella motore	95304	Motor connecting rod
96009	Braccio Nero	96009	Wiper arm/black



## FIAT 1100 T - T2 - T4 (2° Tipo) Ø 10

<b>91335</b>	<b>Completo</b>	<b>91335</b>	<b>Assembly</b>
92029	Piastra	92029	Plate
95303	Biella tirante	95303	Tie connecting rod
95304	Biella motore	95304	Motor connecting rod
96009	Braccio Nero	96009	Wiper arm/black



## CITROEN GS Confort

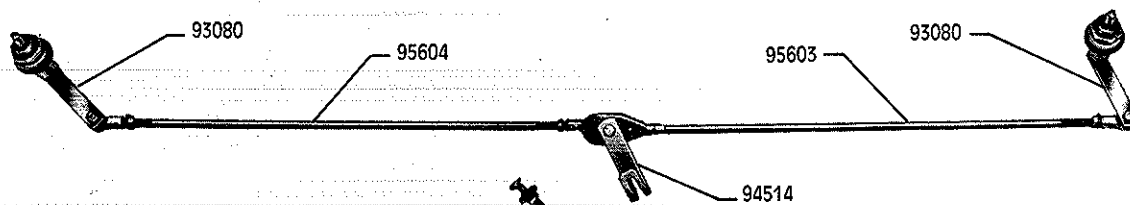
<b>91045</b>	<b>Completo</b>
<b>91045</b>	<b>Assembly</b>



# VEICOLI INDUSTRIALI

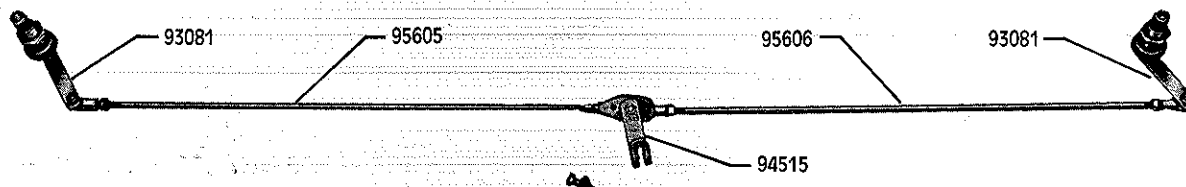
## OM BRESCIA (SWF)

<b>91050</b>	<b>Completo</b>	<b>91050</b>	<b>Assembly</b>
93080	Perni compl. (Dx e Sx)	93080	Complete pin (R & L)
94514	Manovella	94514	Crank
95603	Biella destra	95603	Right connecting rod
95604	Biella sinistra	95604	Left connecting rod



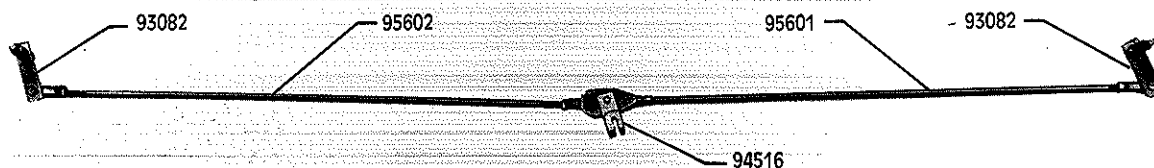
## OM SUZZARA (SWF)

<b>91051</b>	<b>Completo</b>	<b>91051</b>	<b>Assembly</b>
93081	Perni completi (Dx e Sx)	93081	Complete pins (R & L)
94515	Manovella	94515	Crank
95605	Biella destra	95605	Right connecting rod
95606	Biella sinistra	95606	Left connecting rod



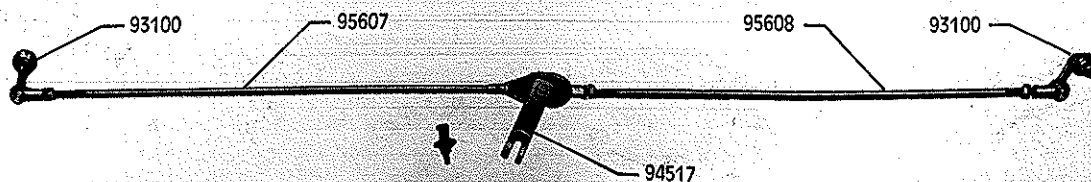
## OM Tigre - Titano - Super Orione (1960-65) (SWF)

<b>91052</b>	<b>Completo</b>	<b>91052</b>	<b>Assembly</b>
93082	Perni completi (Dx e Sx)	93082	Complete pins (R & L)
94516	Manovella	94516	Crank
95601	Biella destra	95601	Right connecting rod
95602	Biella sinistra	95602	Left connecting rod



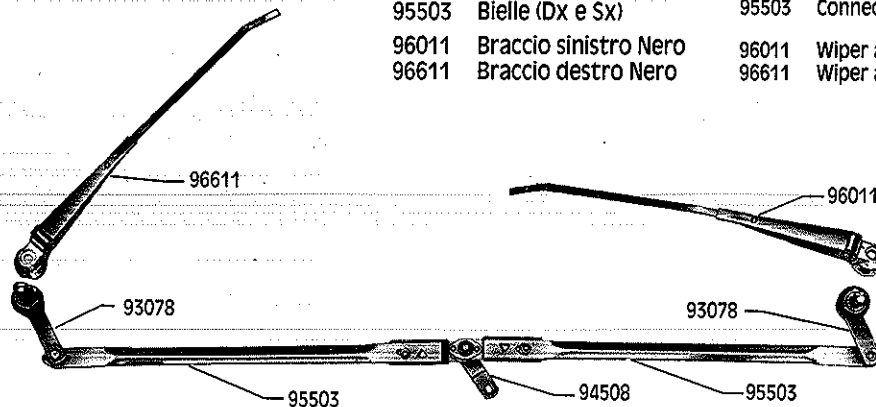
## VW FURGONE (dal '62 al '64) (SWF)

<b>91053</b>	<b>Completo</b>	<b>91053</b>	<b>Assembly</b>
93100	Perni completi (Dx e Sx)	93100	Complete pins (R & L)
94517	Manovella	94517	Crank
95607	Biella sinistra	95607	Left connecting rod
95608	Biella destra	95608	Right connecting rod



## OM Lupetto - Leoncino - Cerbiatto - Tigrotto

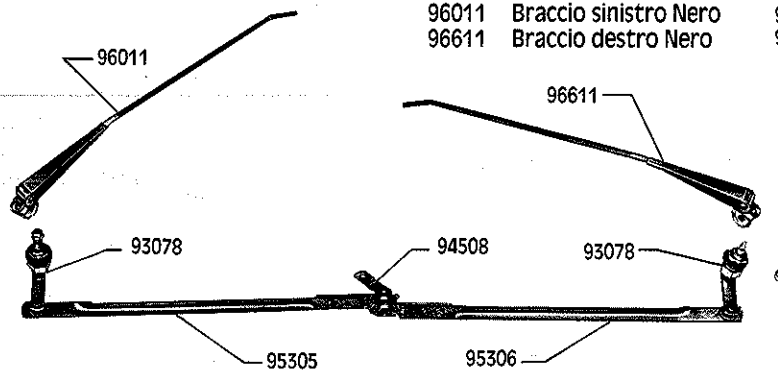
91437	Completo	91437	Assembly
93078	Perni completi (Dx e Sx)	93078	Complete pins (R & L)
94508	Manovella	94508	Crank
95503	Bielle (Dx e Sx)	95503	Connecting rod (R & L)
96011	Braccio sinistro Nero	96011	Wiper arm black/left
96611	Braccio destro Nero	96611	Wiper arm black/right



Rif. M.M. - TGE 91 BA

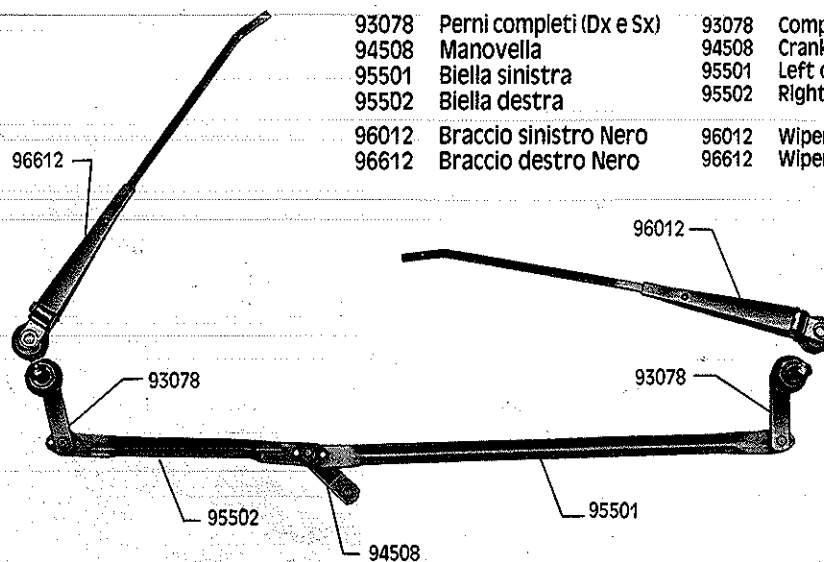
## OM Lupetto - Leoncino - Leoncino L

91438	Completo	91438	Assembly
93078	Perno completo (Dx e Sx)	93078	Complete pin (R & L)
94508	Manovella	94508	Crank
95305	Biella destra	95305	Right connecting rod
95306	Biella sinistra	95306	Left connecting rod
96011	Braccio sinistro Nero	96011	Wiper arm black/left
96611	Braccio destro Nero	96611	Wiper arm black/right



## OM Lupetto - Leoncino - Cerbiatto - Tigrotto

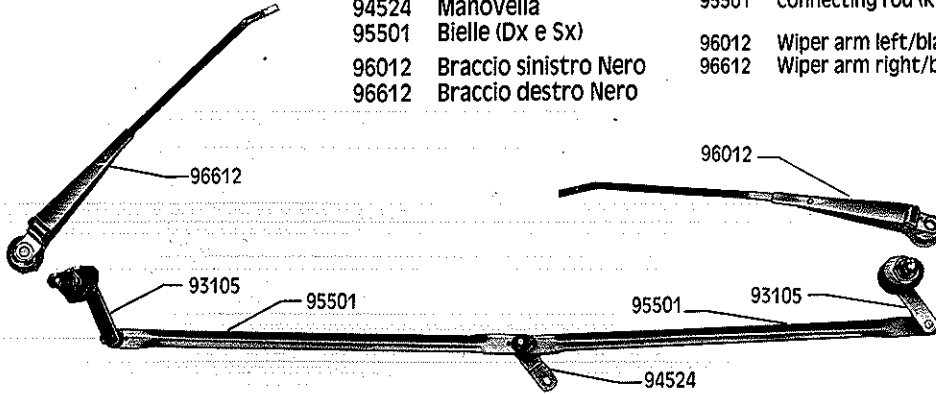
91439	Completo	91439	Assembly
93078	Perni completi (Dx e Sx)	93078	Complete pin (R & L)
94508	Manovella	94508	Crank
95501	Biella sinistra	95501	Left connecting rod
95502	Biella destra	95502	Right connecting rod
96012	Braccio sinistro Nero	96012	Wiper arm black/left
96612	Braccio destro Nero	96612	Wiper arm black/right





## OM 40-35

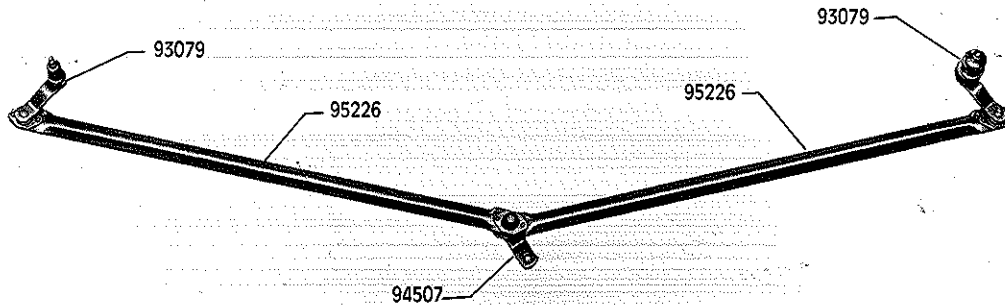
91060 Completo	91060 Assembly
93105 Perno completo (Dx e Sx)	93105 Complete pin (R & L)
94524 Manovella	94524 Crank
95501 Bielle (Dx e Sx)	95501 Connecting rod (R & L)
96012 Braccio sinistro Nero	96012 Wiper arm left/black
96612 Braccio destro Nero	96612 Wiper arm right/black



Rif. M.M. - TGE 127 BA

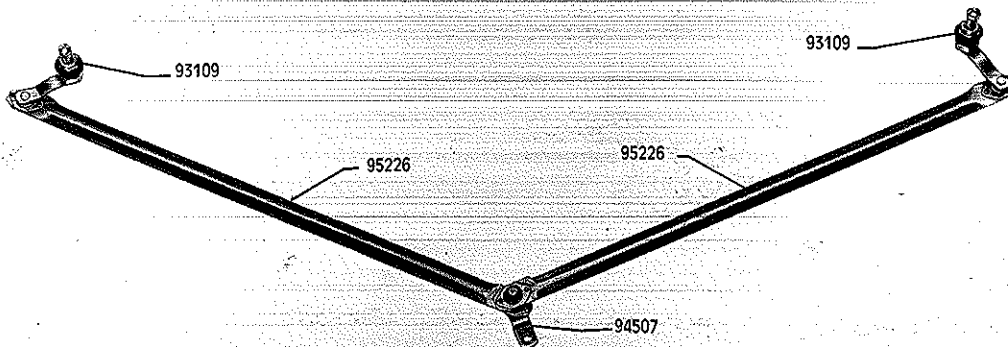
## OM 120 - C - N - L Ø 8 (guida a destra)

91322 Completo	91322 Assembly
93079 Perna completi (Dx e Sx)	93079 Complete pins (R & L)
94507 Manovella	94507 Crank
95226 Biella (Dx e Sx)	95226 Connecting rods (R & L)



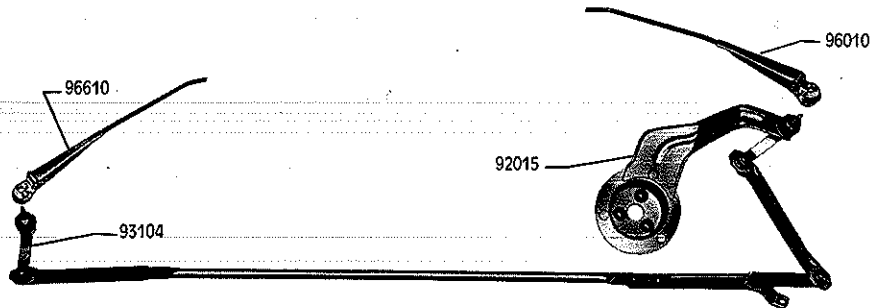
## OM 100 Ø 10 - 100 CNL - 120 (guida destra)

91323 Completo	91323 Assembly
93109 Perna completi (Dx e Sx)	93109 Complete pins
94507 Manovella	94507 Crank
95226 Bielle (Dx e Sx)	95226 Connecting rods (R & L)



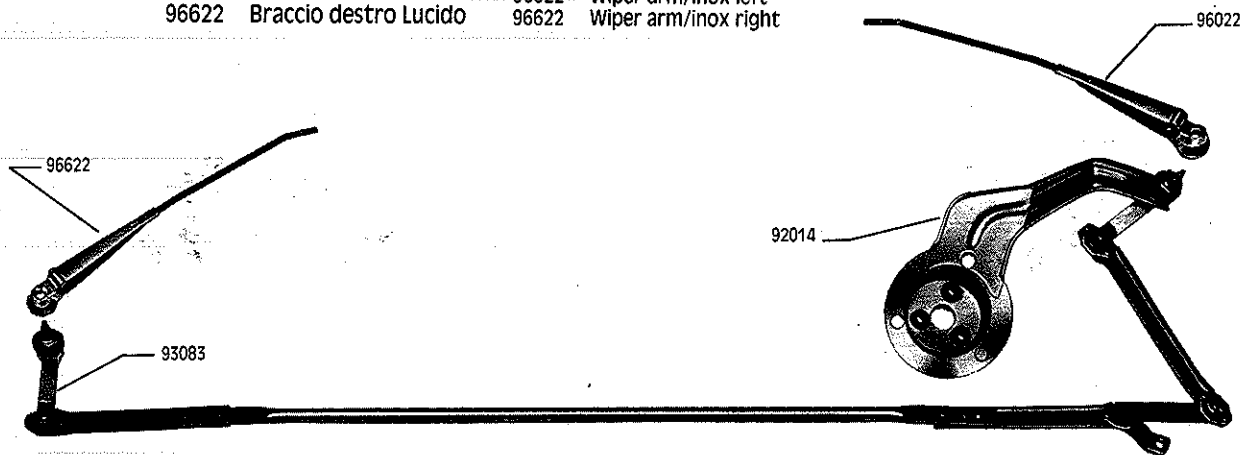
## OM 150 C - N - L - 150/2 C - N - L - T Ø 10 (guida destra)

92015	Piastra	92015	Plate
93104	Perno completo	93104	Complete pin
96010	Braccio sinistro Nero	96010	Wiper arm/black left
96610	Braccio destro Nero	96610	Wiper arm/black right



## OM 150 Ø 8 (guida destra)

92014	Piastra	92014	Plate
93083	Perno completo	93083	Complete pin
96022	Braccio sinistro Lucido	96022	Wiper arm/inox left
96622	Braccio destro Lucido	96622	Wiper arm/inox right



Rif. M.M. - TCE 123 AB

## FIAT 238 B - B1 - 241 T - 238 Bus-Ambulanza (piolo Ø 10)

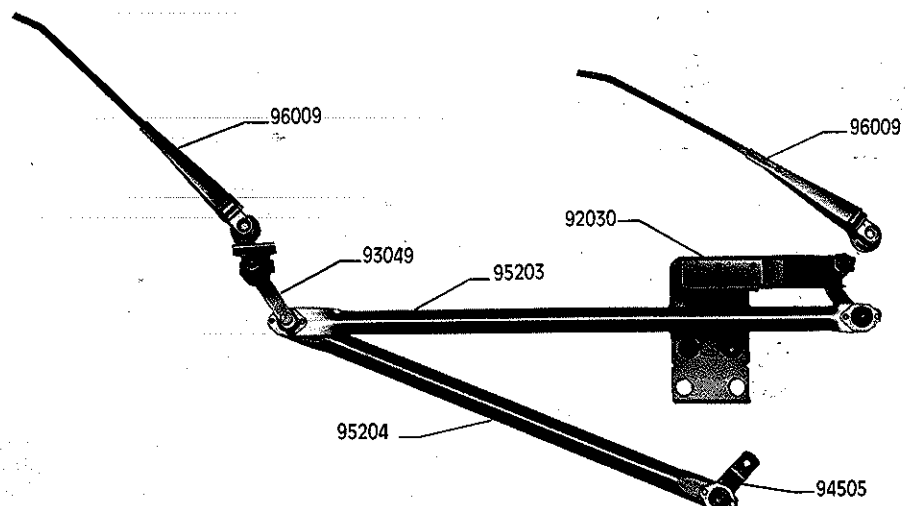
### 91389 Completo

92030	Piastra
93049	Perno completo
94505	Manovella
95203	Biella tirante
95204	Biella motore
96009	Braccio Nero

### 91389 Assembly

92030	Plate
93049	Complete pin
94505	Crank
95203	Tie connecting rod
95204	Motor connecting rod

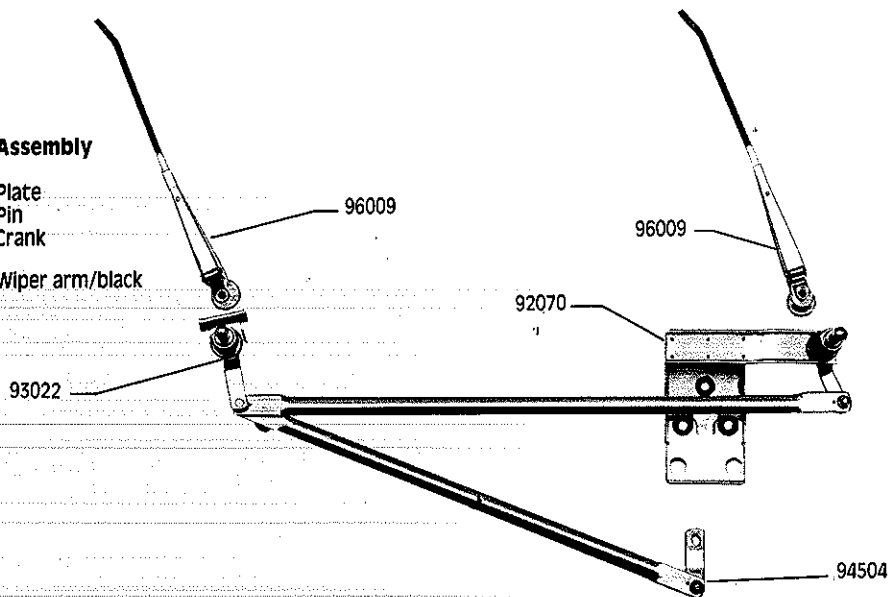
96009 Wiper arm/black



# FIAT 238 B - B1 - 241 T - 238 Bus - Ambulanza (piolo Ø 6)

- 91070 Completo
- 92070 Piastra
- 93022 Perno
- 94504 Manovella
- 96009 Braccio Nero

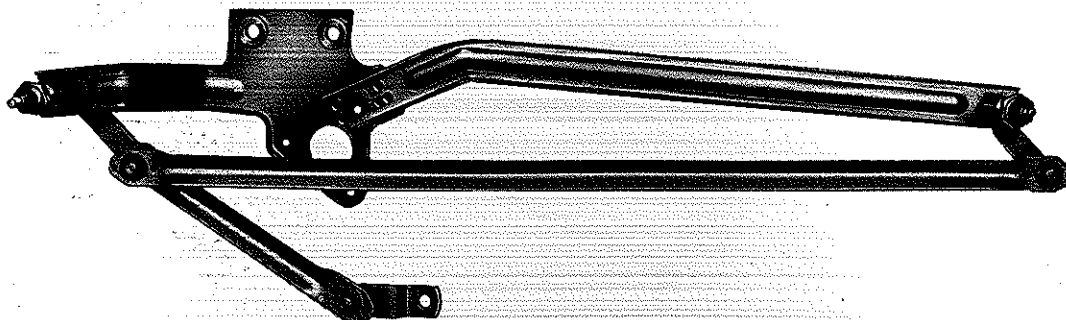
- 91070 Assembly
- 92070 Plate
- 93022 Pin
- 94504 Crank
- 96009 Wiper arm/black



## FIAT 242

91055 Completo

91055 Assembly



Rif. M.M. - TGE 164 A

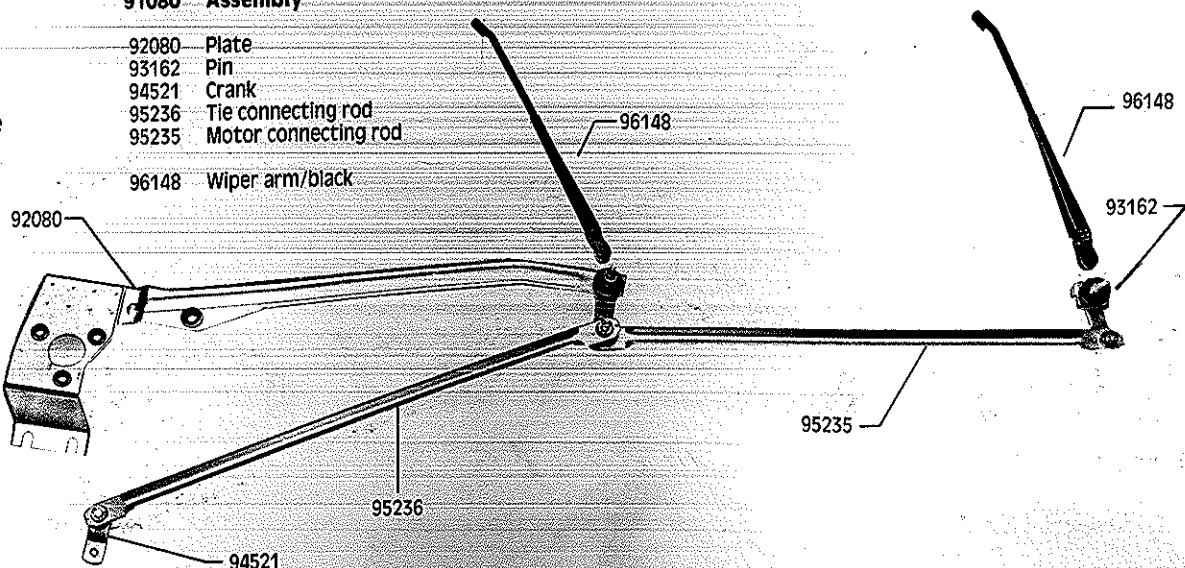
## FIAT DUCATO

91080 Completo

91080 Assembly

- 92080 Piastra
- 93162 Perno
- 94521 Manovella
- 95236 Biella motore
- 95235 Biella tirante
- 96148 Braccio Nero

- 92080 Plate
- 93162 Pin
- 94521 Crank
- 95236 Tie connecting rod
- 95235 Motor connecting rod
- 96148 Wiper arm/black



Rif. M.M. - TGE 197 A

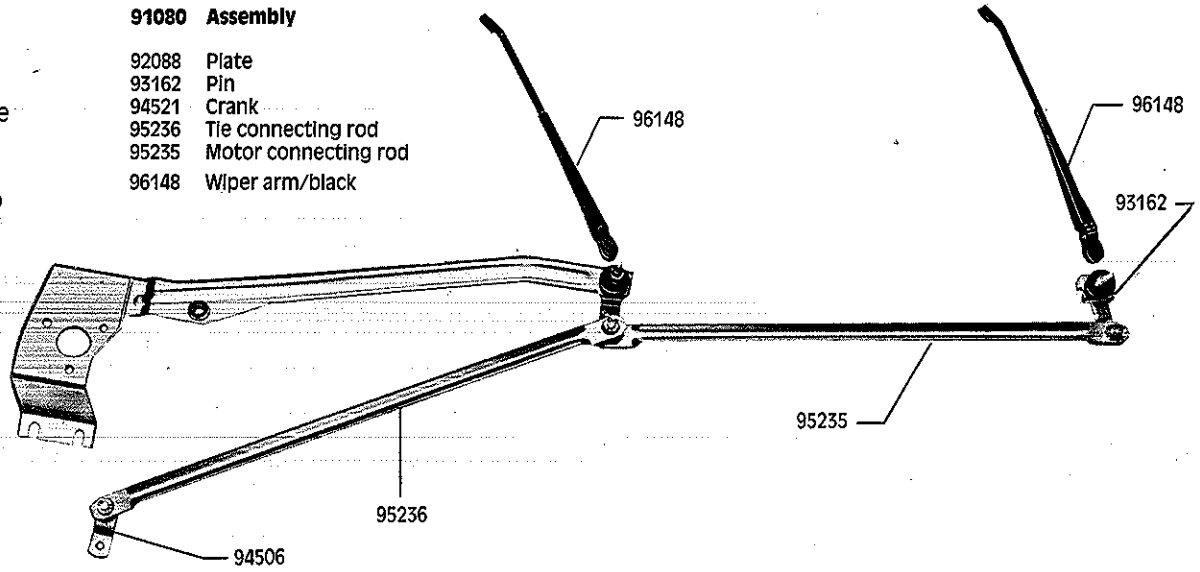
## FIAT DUCATO '85

### 91088 Completo

- 92088 Piastra
- 93162 Perno
- 95236 Biella motore
- 95235 Biella tirante
- 94506 Manovella
- 96148 Braccio Nero

### 91080 Assembly

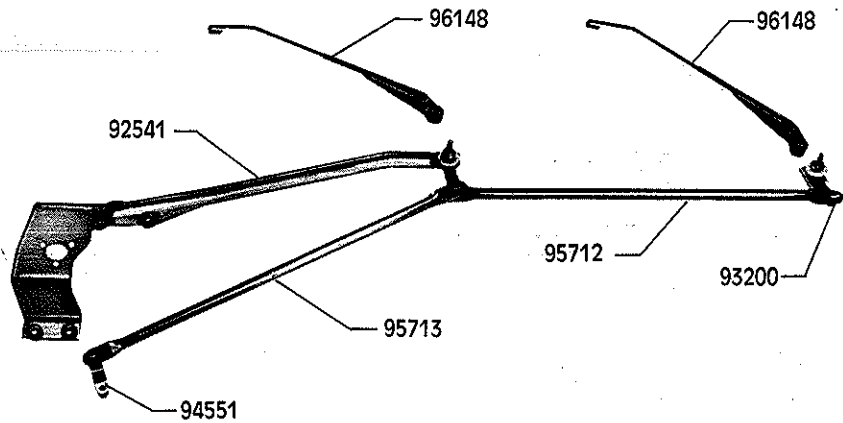
- 92088 Plate
- 93162 Pin
- 94521 Crank
- 95236 Tie connecting rod
- 95235 Motor connecting rod
- 96148 Wiper arm/black



## FIAT DUCATO

### 91541 Completo

- 92541 Piastra
- 93200 Perno
- 94551 Manovella
- 95713 Biella tirante
- 95712 Biella motore
- 96148 Braccio

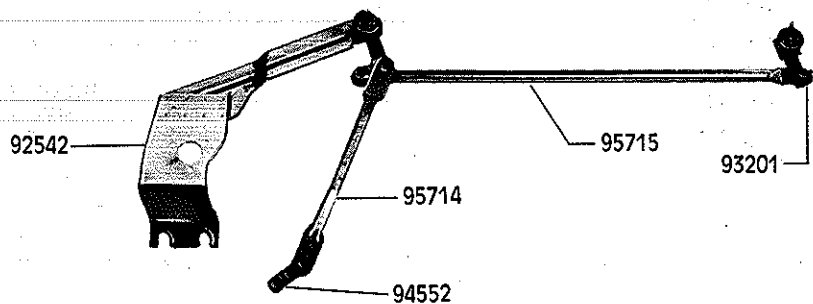


Rif. M.M. - TGE 197 EA

## FIAT DUCATO (Guida DX)

### 91542 Completo

- 92542 Piastra
- 93201 Perno
- 94552 Manovella
- 95714 Biella tirante
- 95715 Biella motore

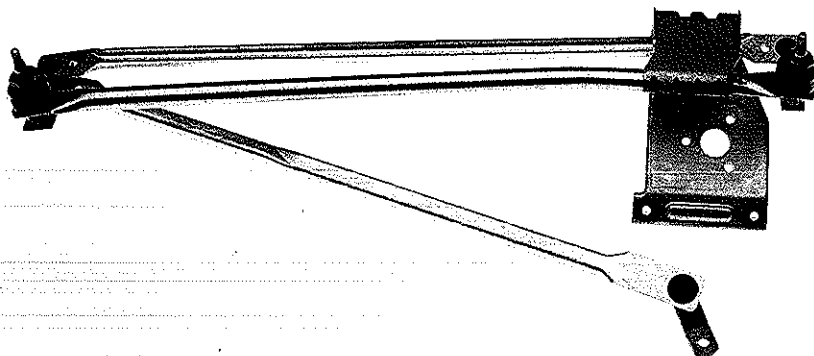


Rif. M.M. - TGE 197 D

## FIAT DUCATO '94

### 91560 Completo

- 95743 Biella tirante
- 95742 Biella motore
- 94563 Manovella



Rif. M.M. - TGE 206

48 E

3-13

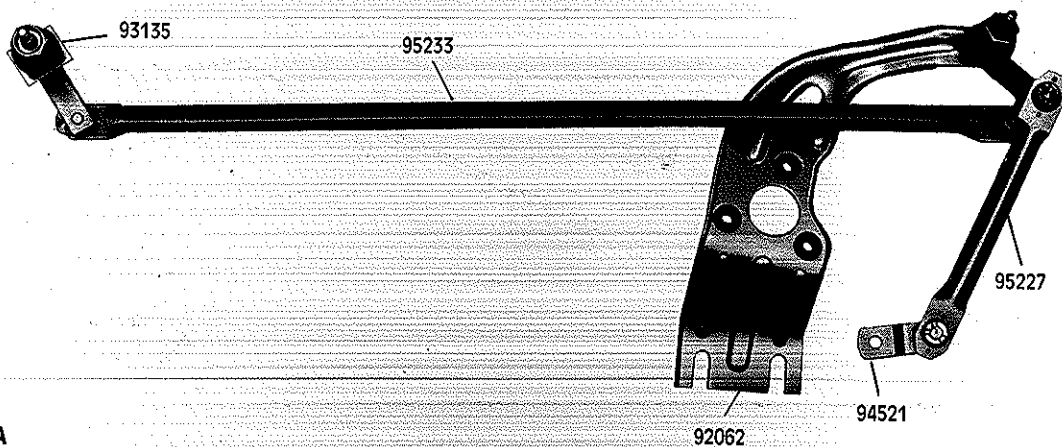
## OM Grinta

### 91062 Completo

- 92062 Piastra
- 93135 Perno completo
- 94521 Manovella
- 95227 Biella motore
- 95233 Biella tirante

### 91062 Assembly

- 92062 Plate
- 93135 Complete pin
- 94521 Crank
- 95227 Motor connecting rod
- 95233 Tie connecting rod

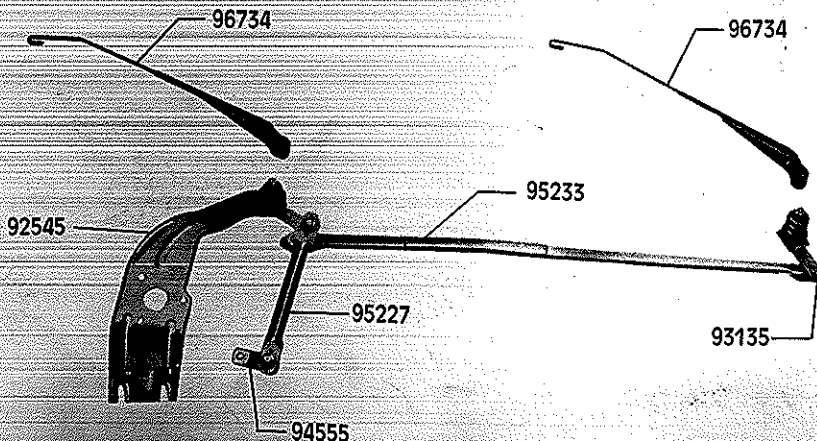


Rif. M.M. - TGE 188 A

## NEW DAILY (Impianto Marelli)

### 91545 Completo

- 92545 Piastra
- 93135 Perno
- 94555 Manovella
- 95227 Biella motore
- 95233 Biella tirante
- 96734 Braccio

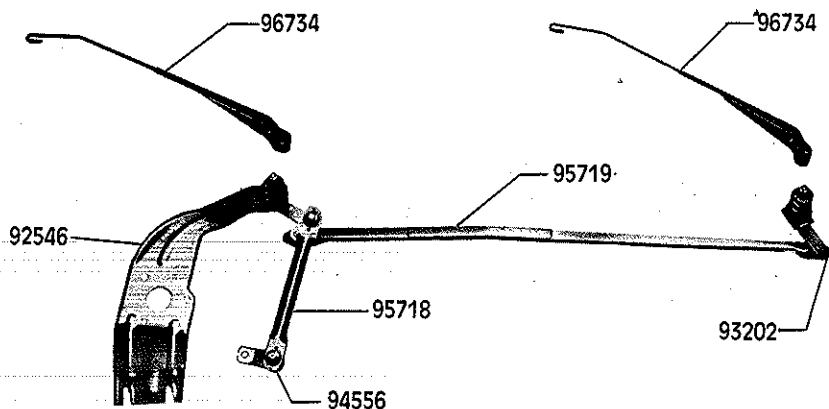


Rif. M.M. - TGE 188 FA

## NEW DAILY (Piolo sferico Ø 16) (Impianto Marelli)

### 91546 Completo

- 92546 Piastra
- 93202 Perno
- 94556 Manovella
- 95718 Biella motore
- 95719 Biella tirante
- 96734 Braccio

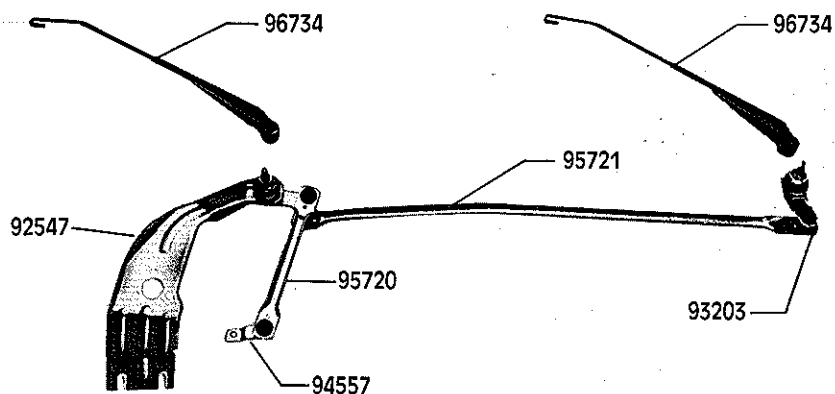


Rif. M.M. - TGE 188 HA

## NEW DAILY (Impianto Bosch)

### 91547 Completo

- 92547 Piastra
- 93203 Perno
- 94557 Manovella
- 95720 Biella motore
- 95721 Biella tirante
- 96734 Braccio



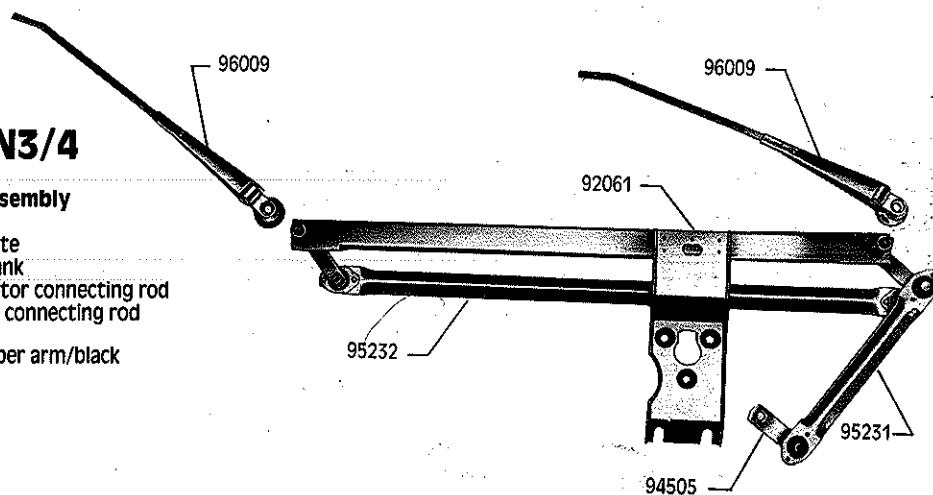
## FIAT 616 N2 - N2/4 - N3 - N3/4

### 91061 Completo

- 92061 Piastra
- 94505 Manovella
- 95231 Biella motore
- 95232 Biella tirante
- 96009 Braccio Nero

### 91061 Assembly

- 92061 Plate
- 94505 Crank
- 95231 Motor connecting rod
- 95232 Tie connecting rod
- 96009 Wiper arm/black



Rif. M.M. - TGE 124 A



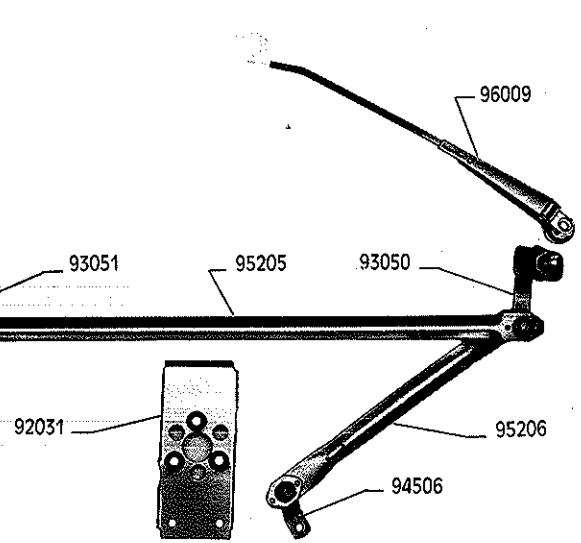
## FIAT 625 N - N1 - N2 - N3 - N1P - N2P - N3P

### 91397 Completo

- 92031 Piastra
- 93050 Perno completo Dx
- 93051 Perno completo Sx
- 94506 Manovella
- 95205 Biella tirante
- 95206 Biella motore
- 96009 Braccio Nero

### 91397 Assembly

- 92031 Plate
- 93050 Complete pin/right
- 93051 Complete pin/left
- 94506 Crank
- 95205 Tie connecting rod
- 95206 Motor connecting rod
- 96009 Wiper arms/black



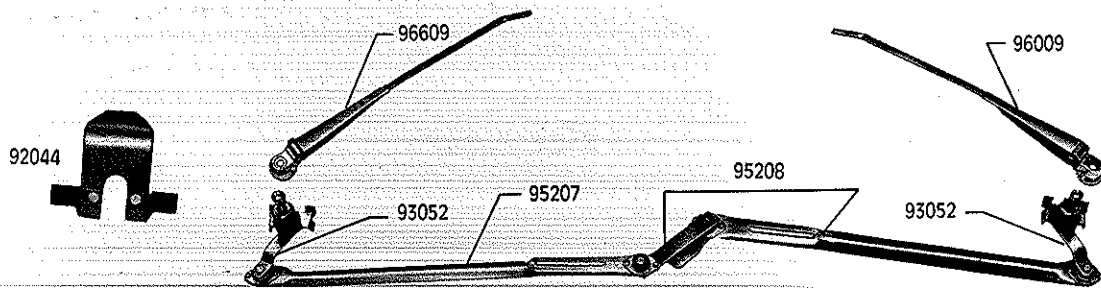
## FIAT 643 N - N1 - 643 T - 645 N1 - 650 N1 - 662 N1 - 662 N1P (guida Dx e Sx)

### 91320 Completo

- 92044 Piastra
- 93052 Perni compl. (Dx e Sx)
- 95207 Biella Sx
- 95208 Biella destra (con man.)
- 96009 Braccio sinistro Nero
- 96609 Braccio destro Nero

### 91320 Assembly

- 92044 Plate
- 93052 Complete pin (L & R)
- 95207 Left connecting rod
- 95208 Right connecting rod with crank
- 96009 Wiper arm black/left
- 96609 Wiper arm black/right



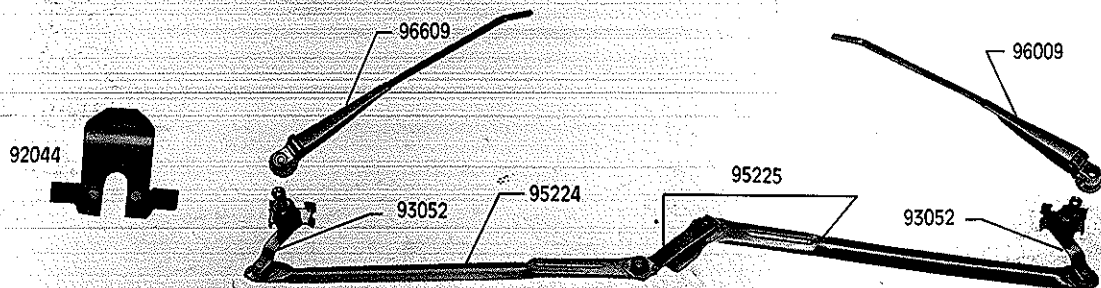
## FIAT 619 T - 682 N3 - N4 - 683 T - T3 - T4 - 693 N - N1 - 693 T - T1 (guida Dx e Sx)

### 91321 Completo

- 92044 Piastra
- 93052 Perni compl. (Dx e Sx)
- 95207 Biella Sx
- 95208 Biella destra (con man.)
- 96009 Braccio sinistro Nero
- 96609 Braccio destro Nero

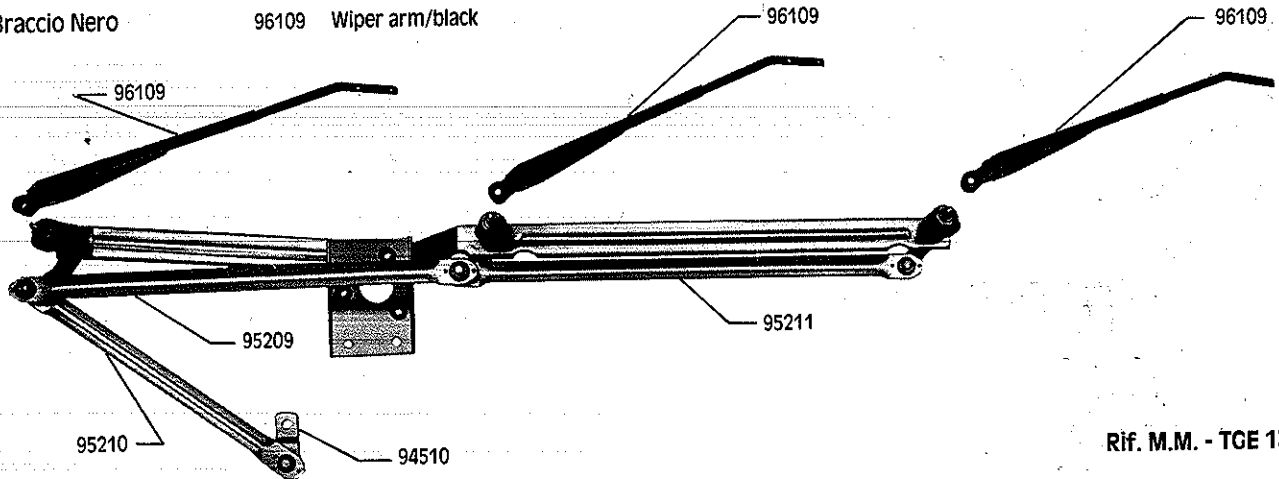
### 91321 Assembly

- 92044 Plate
- 93052 Complete pin (L & R)
- 95207 Left connecting rod
- 95208 Right connecting with crank
- 96009 Wiper arm black/left
- 96609 Wiper arm black/right



## FIAT 645 N2 - N3 - 650 N2 - N3 - 655 N - N1 - 662 N2 - N2P - N3 N3P - T - 672 N - 673 N - NR - T (guida destra)

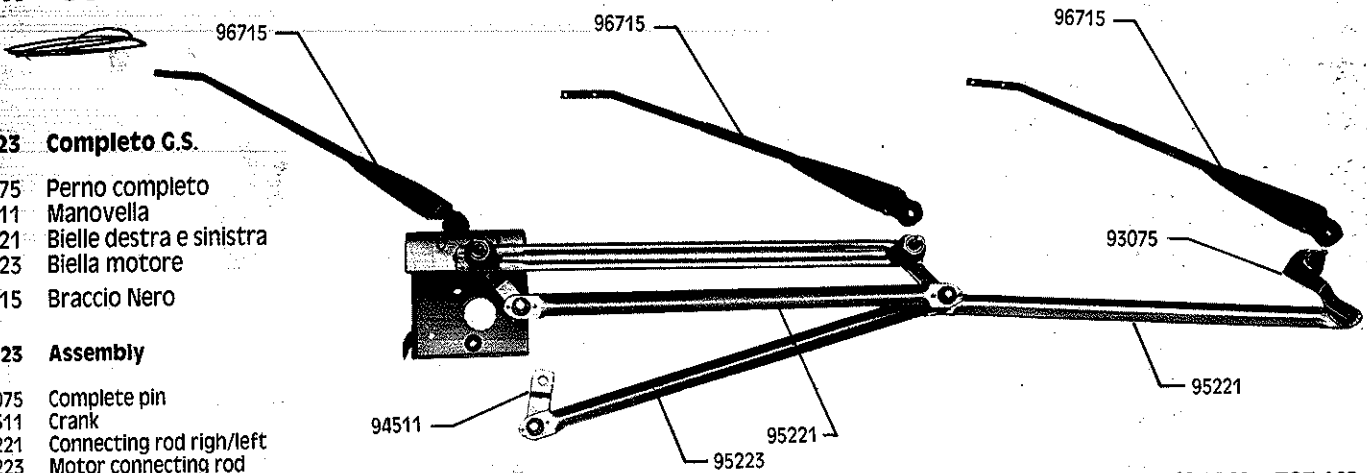
<b>91395</b> Completo	<b>91395</b> Assembly
94510 Manovella	94510 Crank
95209 Biella destra	95209 Right connecting rod
95210 Biella motore	95210 Motor connecting rod
95211 Biella sinistra	95211 Left connecting rod
96109 Braccio Nero	96109 Wiper arm/black



Rif. M.M. - TGE 131 A

## FIAT - 50 NC - 55 NC - 80 NC - 90 NC - 100 EC/OM - 50 - 55 - 65 - 70 - 75 - 80 - 90 - N 100

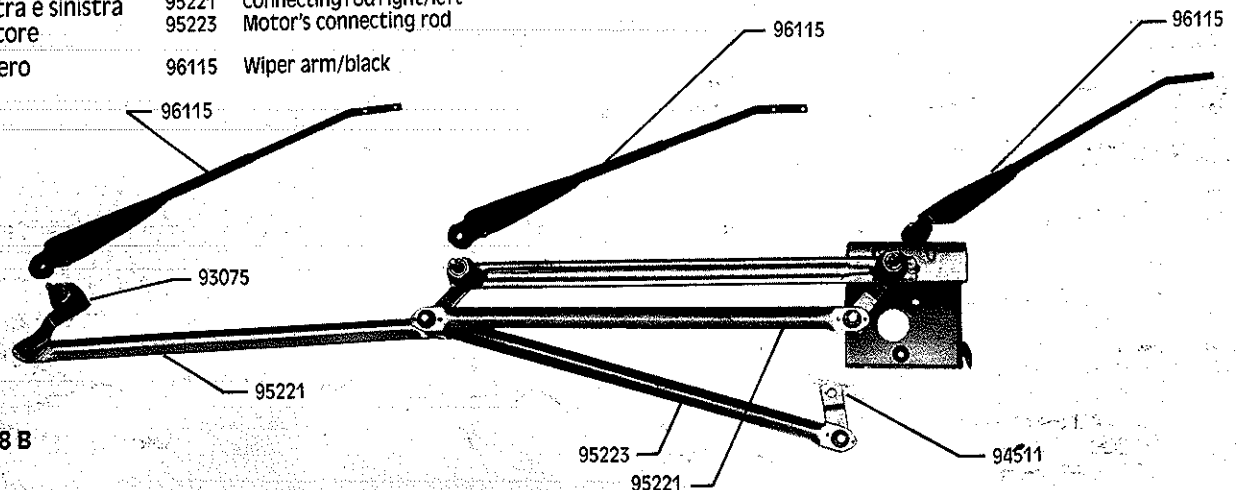
<b>91523</b> Completo G.S.	
93075 Perno completo	
94511 Manovella	
95221 Bielle destra e sinistra	
95223 Biella motore	
96715 Braccio Nero	
<b>91523</b> Assembly	
93075 Complete pin	
94511 Crank	
95221 Connecting rod right/left	
95223 Motor connecting rod	
96715 Wiper arm/black	



Rif. M.M. - TGE 148 A

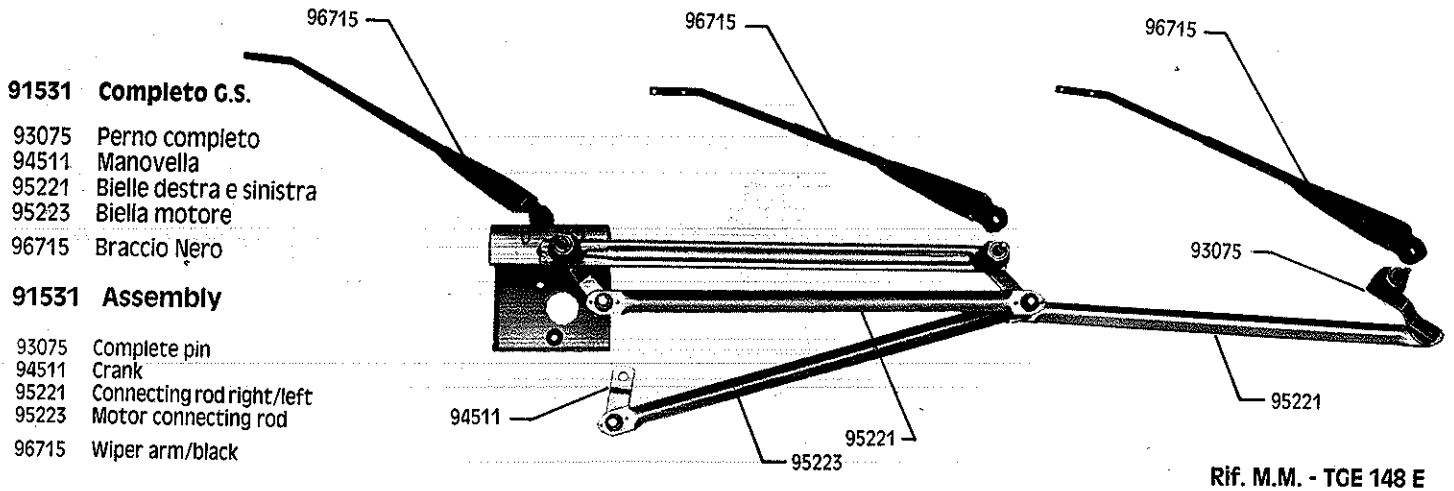
## FIAT - 80 NC - 90 NC/OM dal 75 al 100

<b>91048</b> Completo G.D.	<b>91048</b> Assembly
93075 Perno completo	93075 Complete pin
94511 Manovella	94511 Crank
95221 Bielle destra e sinistra	95221 Connecting rod right/left
95223 Biella motore	95223 Motor's connecting rod
96115 Braccio Nero	96115 Wiper arm/black



Rif. M.M. - TGE 148 B

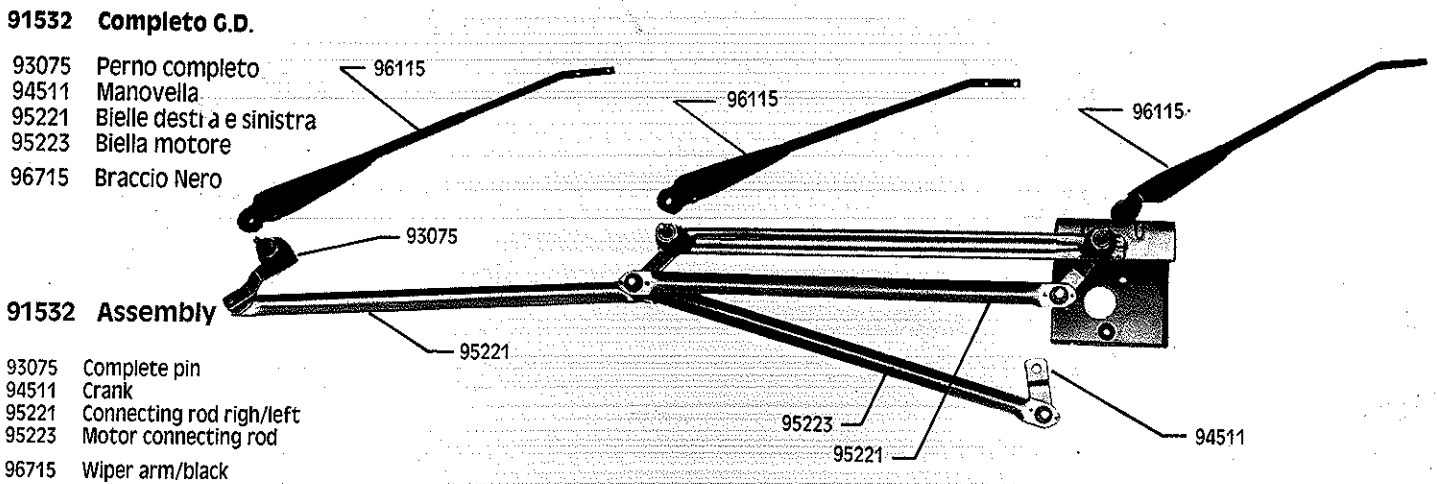
**FIAT IVECO GAMMA ZETA - II SERIE: 50.8 - 50.10 - A55.10 - 65.10 - 70.10 - 75.10 - 80.13 - 90.13 - 50.9 - 55.8 - 55.9 - 60.8 - 95.14 - 60.10 - 109.14 - 79.10 - 79.13 - 79.14 - 100.13**



- 91531 Completo G.S.**  
 93075 Perno completo  
 94511 Manovella  
 95221 Bielle destra e sinistra  
 95223 Biella motore  
 96715 Braccio Nero
- 91531 Assembly**  
 93075 Complete pin  
 94511 Crank  
 95221 Connecting rod right/left  
 95223 Motor connecting rod  
 96715 Wiper arm/black

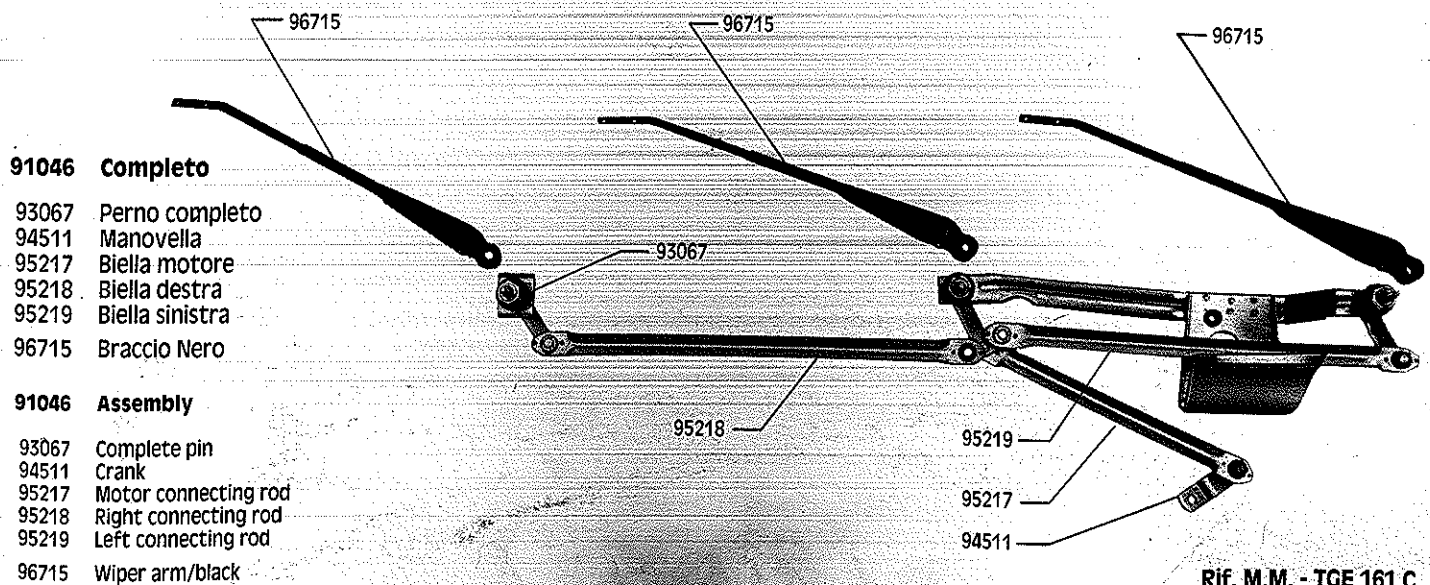
Rif. M.M. - TGE 148 E

**FIAT IVECO GAMMA ZETA - II SERIE: 50.8 - 50.10 - A55.10 - 65.10 - 70.10 - 75.10 - 80.13 - 90.13 - 50.9 - 55.8 - 55.9 - 60.8 - 95.14 - 60.10 - 109.14 - 79.10 - 79.13 - 79.14 - 100.13**



- 91532 Completo G.D.**  
 93075 Perno completo  
 94511 Manovella  
 95221 Bielle destra e sinistra  
 95223 Biella motore  
 96715 Braccio Nero
- 91532 Assembly**  
 93075 Complete pin  
 94511 Crank  
 95221 Connecting rod right/left  
 95223 Motor connecting rod  
 96715 Wiper arm/black

**FIAT 100 NC - 110 NC - NR - NT - PC - 130 NC - NR - NT  
 OM 110 R - P - T - 130 R - T (guida sinistra)**

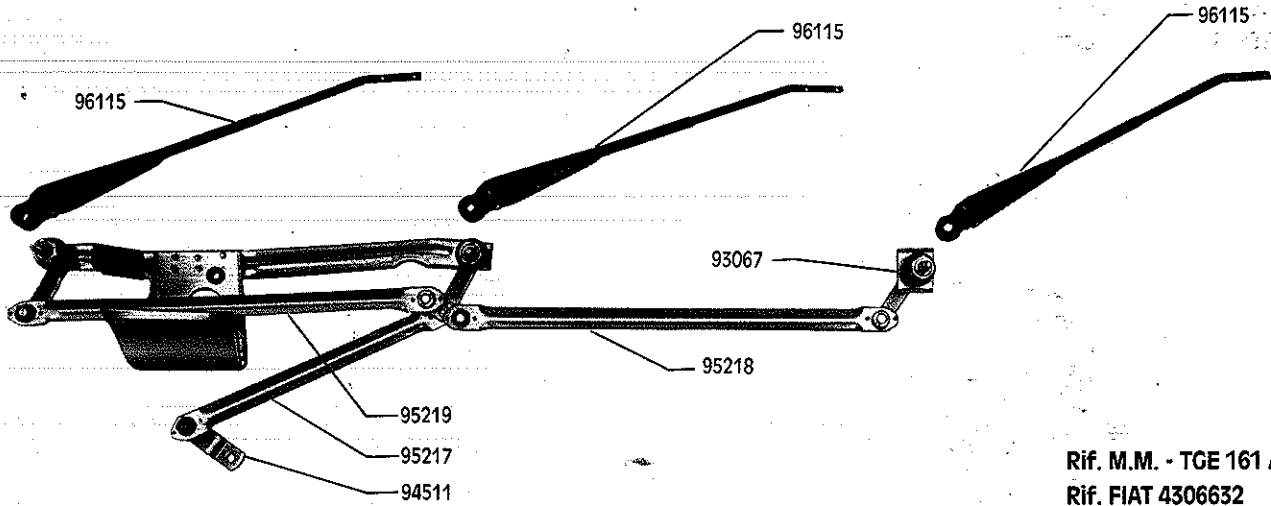


- 91046 Completo**  
 93067 Perno completo  
 94511 Manovella  
 95217 Biella motore  
 95218 Biella destra  
 95219 Biella sinistra  
 96715 Braccio Nero
- 91046 Assembly**  
 93067 Complete pin  
 94511 Crank  
 95217 Motor connecting rod  
 95218 Right connecting rod  
 95219 Left connecting rod  
 96715 Wiper arm/black

Rif. M.M. - TGE 161 C

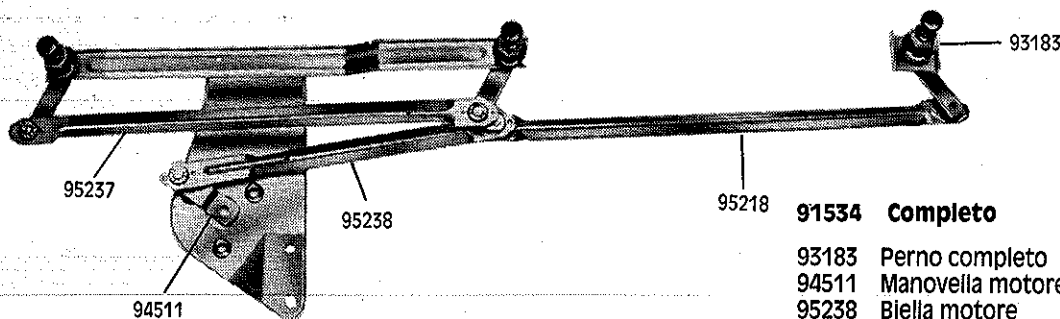
**FIAT 110 NC - NR - NT - PC - 130 NC - NR - NT  
OM 110 R - P - T - 130 R - T (guida destra)**

<b>91513</b>	<b>Completo</b>	<b>91513</b>	<b>Assembly</b>
93067	Perno completo	93067	Complete pin
94511	Manovella	94511	Crank
95217	Biella motore	95217	Motor connecting rod
95218	Biella sinistra	95218	Left connecting rod
95219	Biella destra	95219	Right connecting rod
96115	Braccio Nero	96115	Wiper arm/black



Rif. M.M. - TGE 161 AK  
Rif. FIAT 4306632

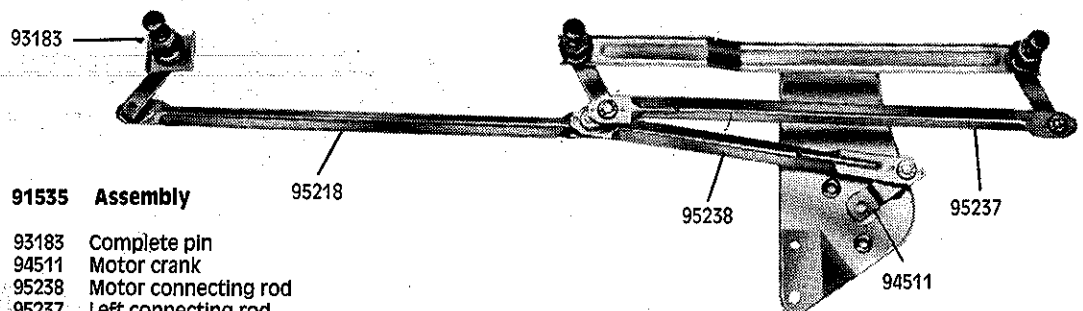
**IVECO 115.14 - 115.17 - 135.14 - 135.17 - 159.17 - 160.16A - 165.24 - 120.13 - 120.14 -  
140.14 - 140.20 - 150.14 - 150.16A - 150.17 - 159.20 (guida dx)**



<b>91534</b>	<b>Completo</b>	<b>91534</b>	<b>Assembly</b>
93183	Perno completo	93183	Complete pin
94511	Manovella motore	94511	Motor crank
95238	Biella motore	95238	Motor connecting rod
95218	Biella sinistra	95218	Left connecting rod
95237	Biella destra	95237	Right connecting rod
96134	Braccio Nero	96134	Wiper arm/black

Rif. M.M. - TGE 192 B

**IVECO 115.14 - 115.17 - 135.14 - 135.17 - 159.17 - 160.16A - 165.24 - 120.13 - 120.14 -  
140.14 - 140.20 - 150.14 - 150.16A - 150.17 - 159.20 (guida sx)**



<b>91535</b>	<b>Completo</b>	<b>91535</b>	<b>Assembly</b>
93183	Perno completo	93183	Complete pin
94511	Manovella motore	94511	Motor crank
95238	Biella motore	95238	Motor connecting rod
95237	Biella sinistra	95237	Left connecting rod
95218	Biella destra	95218	Right connecting rod
96734	Braccio Nero	96734	Wiper arm/black

Rif. M.M. - TGE 192 A  
Rif. FIAT 79227601

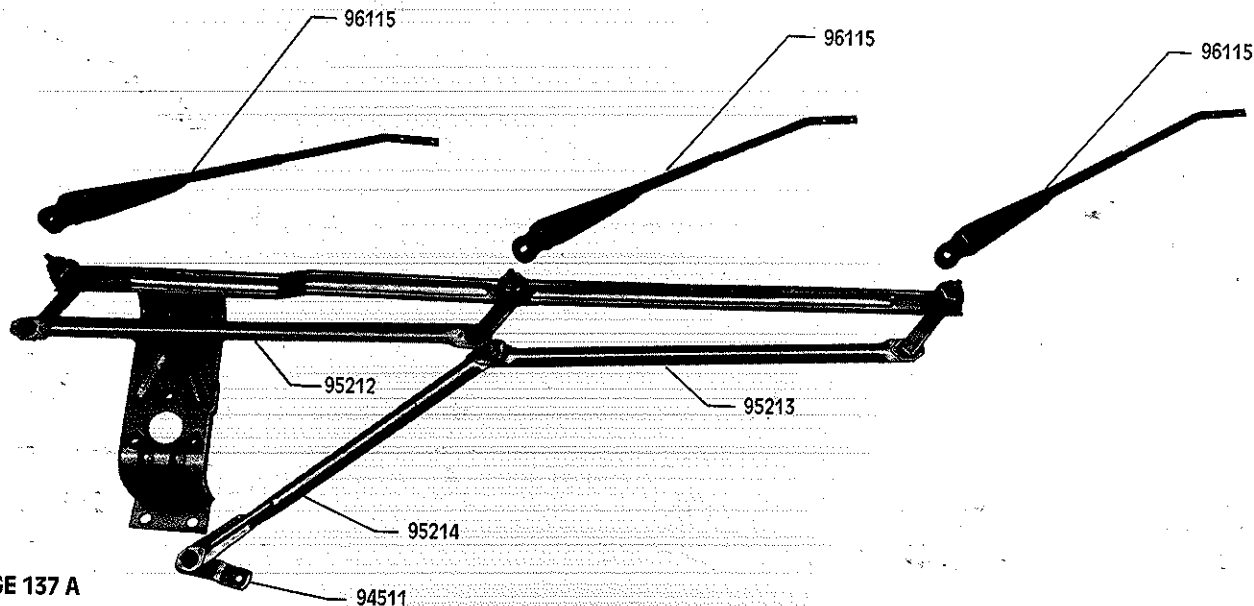
**FIAT 619 N1 - N1P - T1 - T1P - 684 N - NP - T - TP - 691 N - NS - T - TS - 697 N - NP - T - TP  
guida dx)  
M 190 N - L - T - 260 C - NT**

**1393 Completo**

**91393 Assembly**

- 14511 Manovella
- 15212 Biella destra
- 15213 Biella sinistra
- 15214 Biella motore
- 16115 Braccio Nero

- 94511 Crank
- 95212 Right connecting rod
- 95213 Left connecting rod
- 95214 Motor connecting rod
- 96115 Wiper arm/black



**M.M. - TGE 137 A**

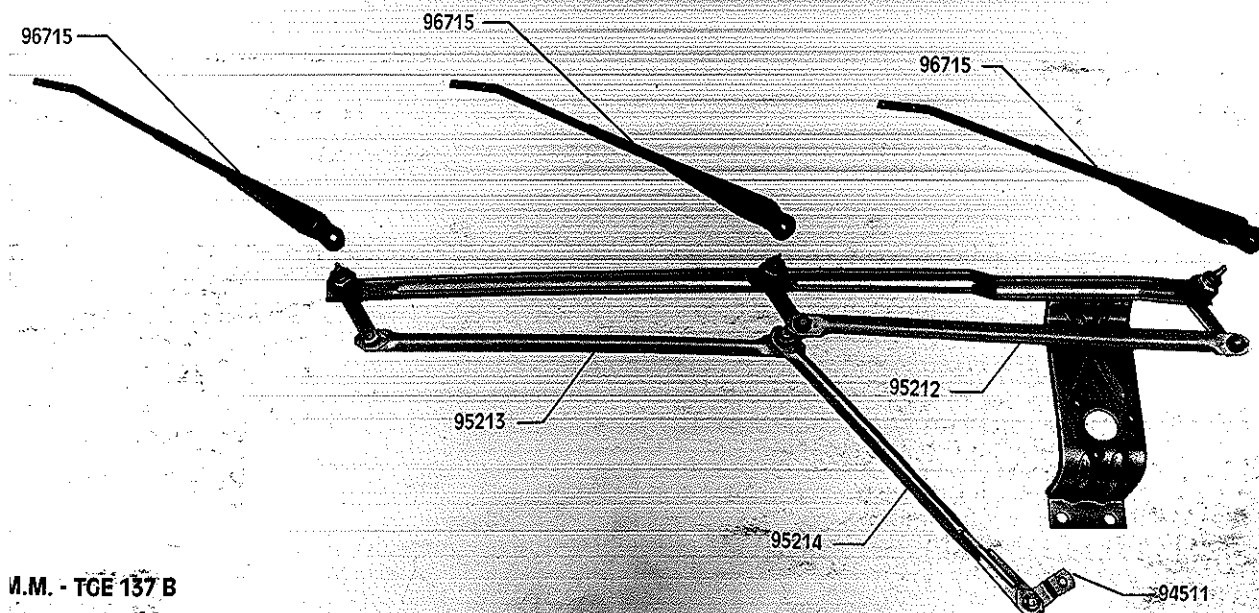
**FIAT 619 N1 - N1P - T1 - T1P - 684 N - NP - T - TP - 697 N - NP - T - TP (guida sinistra)**

**149 Completo**

**91049 Assembly**

- 1511 Manovella
- 15212 Biella sinistra
- 15213 Biella destra
- 15214 Biella motore
- 16115 Braccio Nero

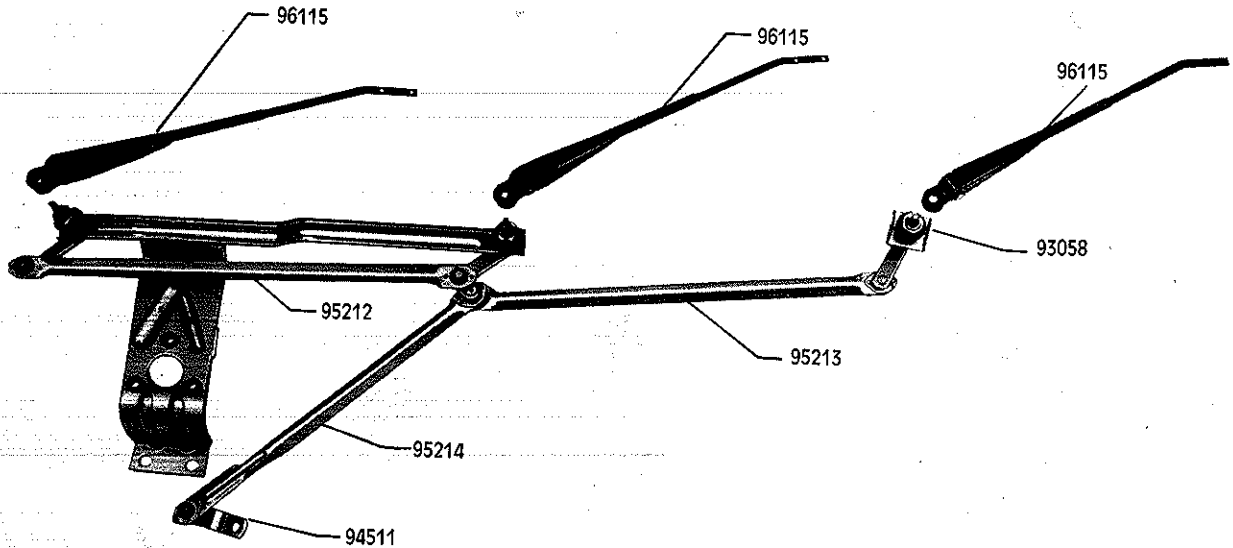
- 94511 Crank
- 95212 Left connecting rod
- 95213 Right connecting rod
- 95214 Motor connecting rod
- 96715 Wiper arm/black



**M.M. - TGE 137 B**

**FIAT 160 NC - NR - NT - 180 NC - NT - 619 N1 - N1P - T1 - T1P - 684 N - NP - T - TP - 691 - N - NS - T - TS - 697 N - NP - T - TP (guida destra)**

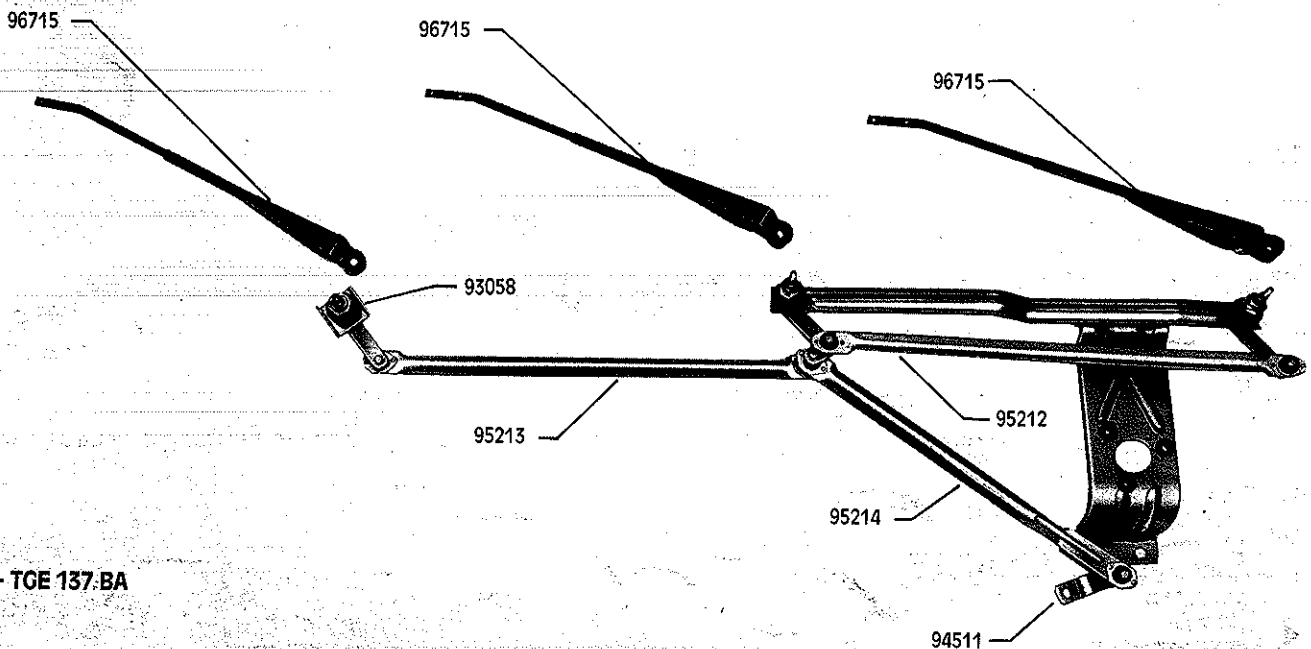
<b>91524</b>	<b>Completo</b>	<b>91524</b>	<b>Assembly</b>
93058	Perno completo	93058	Complete pin
94511	Manovella	94511	Crank
95212	Biella sinistra	95212	Left connecting rod
95213	Biella destra	95213	Right connecting rod
95214	Biella motore	95214	Motor connecting rod
96115	Braccio Nero	96115	Wiper arm/black



Rif. M.M. - TCE 137 AA

**FIAT 300 PC - 619 N1 - N1P - T1 - T1P - 684 N - NP - T - TP - 697 N - NP - T - TP (guida sinistra)**

<b>91047</b>	<b>Completo</b>	<b>91047</b>	<b>Assembly</b>
93058	Perno completo	93058	Complete pin
94511	Manovella	94511	Crank
95212	Biella destra	95212	Left connecting rod
95213	Biella sinistra	95213	Right connecting rod
95214	Biella motore	95214	Motor connecting rod
96715	Braccio Nero	96715	Wiper arm/black



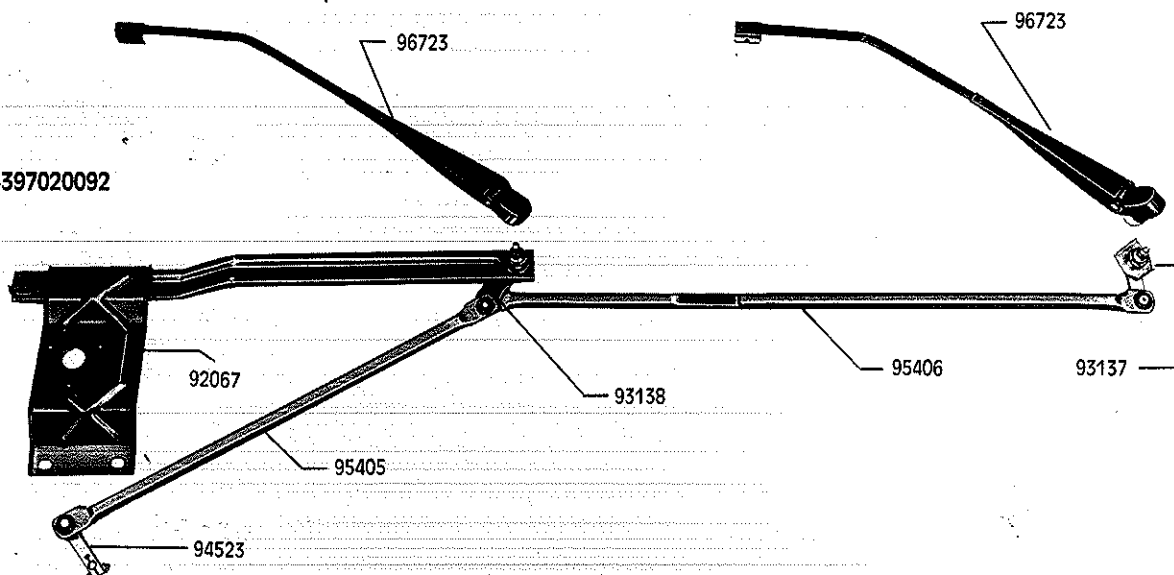
Rif. M.M. - TCE 137-BA



## AT 170 - 190 (Impianto Bosch)

67	Completo	91067	Complete pin
67	Piastra	92067	Plate
37	Perno semplice compl.	93137	
38	Perno doppio compl.	93138	
23	Manovella	94523	Crank
06	Biella tirante	95406	Tie connecting rod
05	Biella motore	95405	Motor connecting rod
23	Braccio Nero	96723	Wiper arm/black

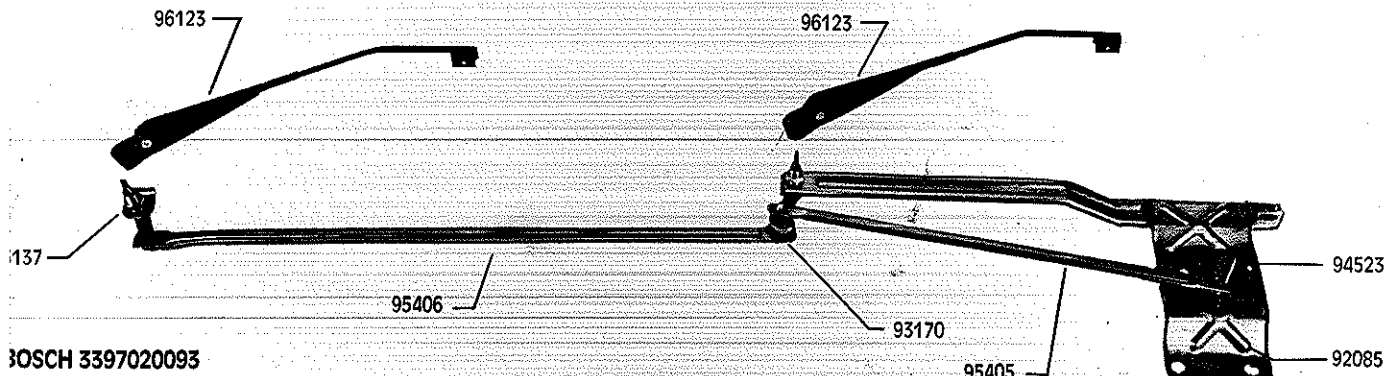
BOSCH 3397020092



## AT 170 - 190 (Impianto Bosch - Guida dx)

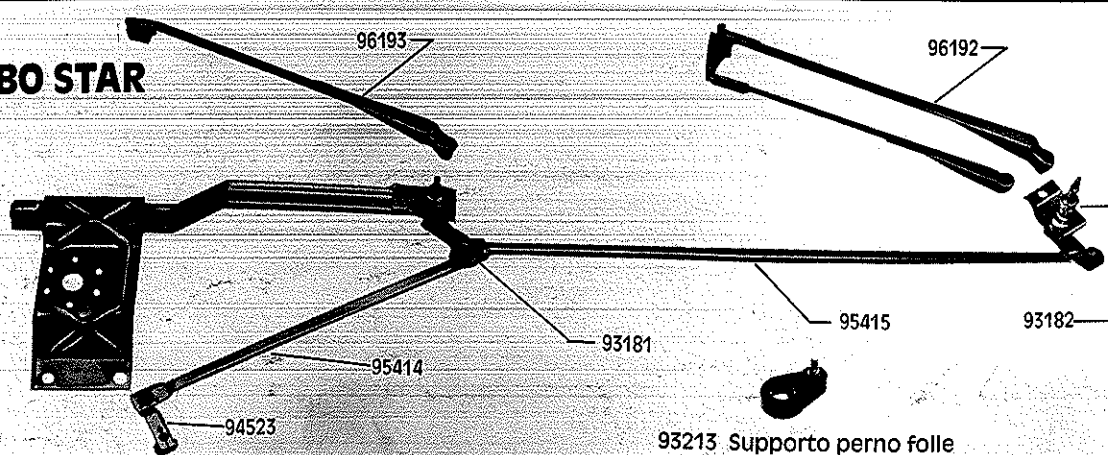
35	Completo	91085	Complete pin
35	Piastra	92085	Plate
37	Perno semplice compl.	93137	
70	Perno doppio compl.	93170	
23	Manovella	94523	Crank
06	Biella tirante	95406	Tie connecting rod
05	Biella motore	95405	Motor connecting rod
23	Braccio Nero	96123	Wiper arm/black

BOSCH 3397020093



## AT - IVECO TURBO STAR (Guida Sinistra)

3	Completo		
2	Perno semplice compl.		
1	Perno doppio compl.		
3	Manovella		
5	Biella tirante		
4	Biella motore		
2	Braccio pantogr. lato guida		
3	Braccio lato passeggero		

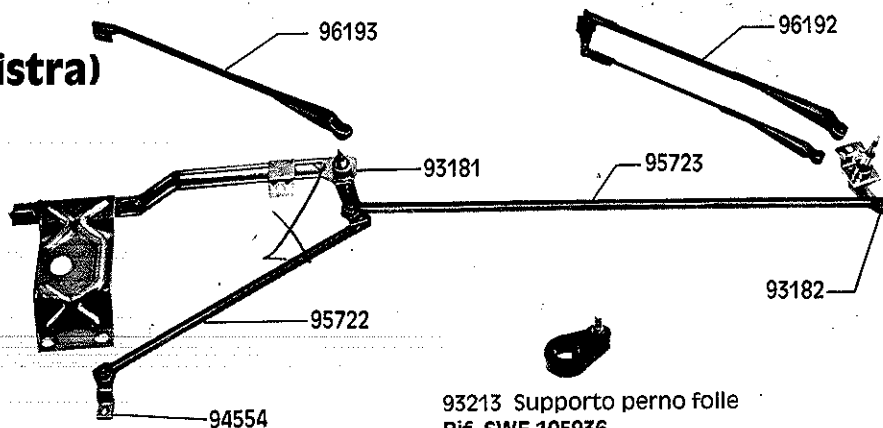


93213 Supporto perno folle  
Rif. SWF 105936

## FIAT IVECO TURBO STAR (Impianto SWF) (Guida sinistra)

**91544 Completo**

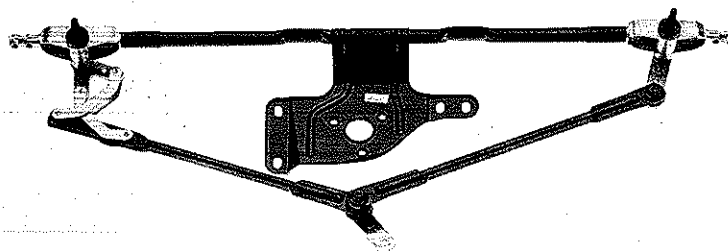
- 93181 Perno doppio completo
- 93182 Perno semplice completo
- 94554 Manovella
- 95723 Biella tirante
- 95722 Biella motore
- 96192 Braccio pantografo lato guida
- 96193 Braccio lato passeggero



93213 Supporto perno folle  
Rif. SWF 105936

## IVECO EURO CARGO

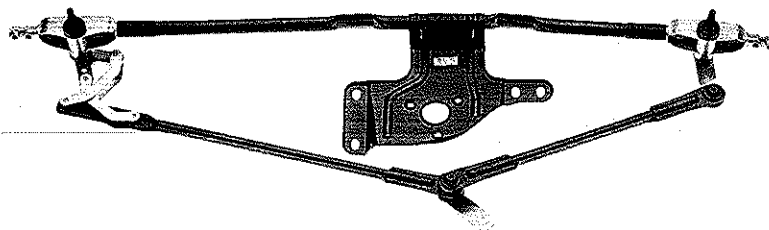
**91543 Completo**



Rif. IVECO 98478631

## IVECO EUROTECH

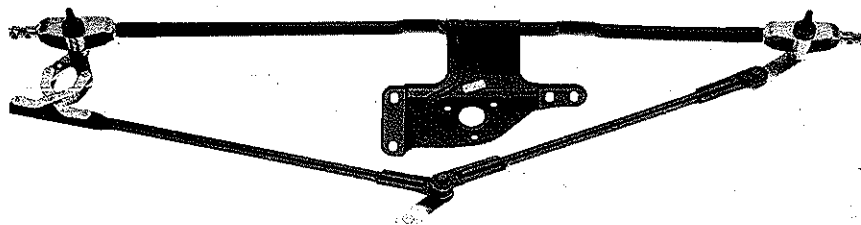
**91555 Completo**



Rif. IVECO 98478633

## IVECO EUROSTAR

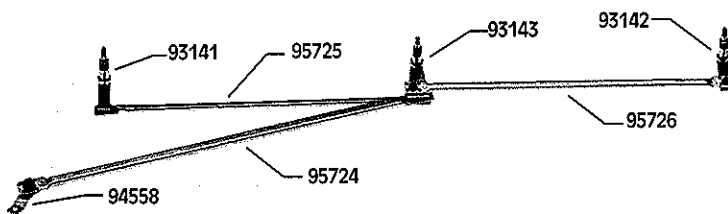
**91556 Completo**



Rif. IVECO 98478635

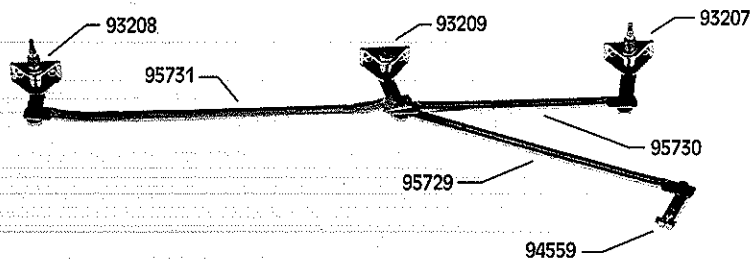
## SCANIA 111/141

91549 Completo



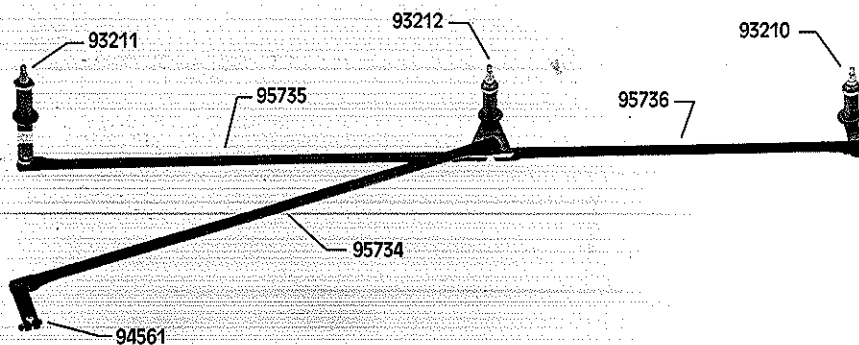
## SCANIA 142/143 '92

91550 Completo



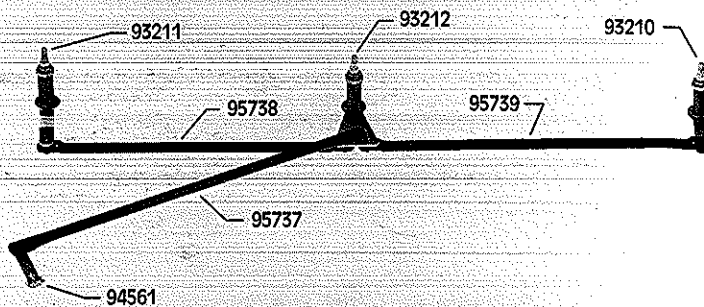
## MAN CABINA GRANDE

91557 Completo



## MAN CABINA PICCOLA

91558 Completo



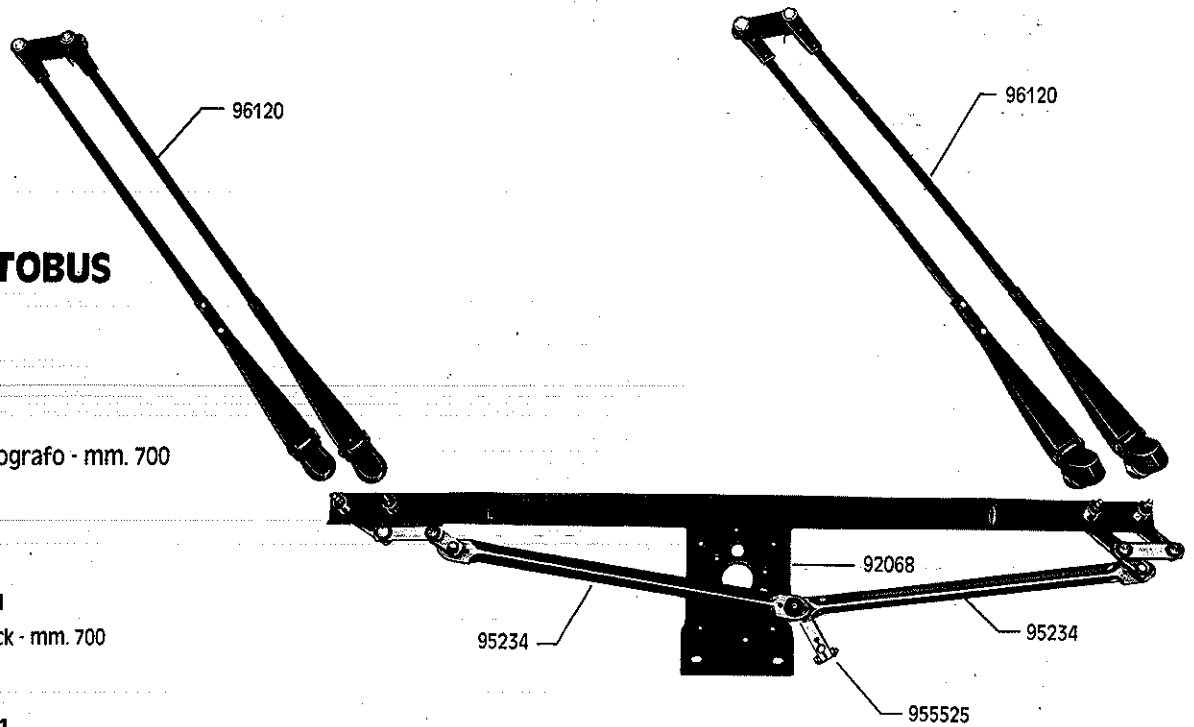
## FIAT 370 AUTOBUS

### 91068 Completo

- 92068 Piastra
- 955525 Manovella
- 95234 Bielle
- 96120 Braccio pantografo - mm. 700

### 91068 Assembly

- 92068 Plate
- 955525 Crank
- 95234 Connecting rod
- 96120 Wiper arm/black - mm. 700



Rif. BOSCH 3397020081

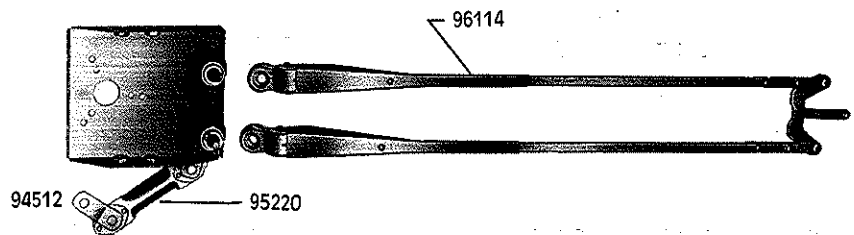
## FIAT Cameri 309 A - 306/3 - 308 - 308 L - 314/2 - 314/3 - 343 (guida DX e SX) (Bussola filettata mm. 77)

### 91527 Completo

- 94512 Manovella
- 95220 Biella
- 96114 Braccio pantog. Nero - mm. 580

### 91527 Assembly

- 94512 Crank
- 95220 Connecting rod
- 96114 Pantograph arm/black - mm. 580



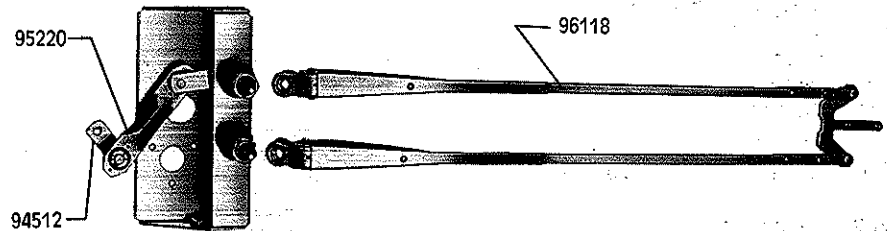
## FIAT Cameri 409 - 418 A - AC - AL (guida sinistra)

### 91528 Completo SX (1529 DX)

- 94512 Manovella
- 95220 Biella
- 96118 Braccio pantog. Nero - mm. 600

### 91528 Assembly

- 94512 Crank
- 95220 Connecting rod
- 96118 Pantograph arm/black - mm. 600



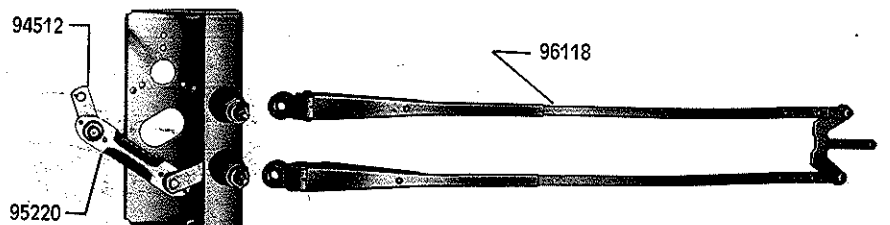
## FIAT Cameri 409 - 418 A - AC - AL (guida destra)

### 91529 Completo

- 94512 Manovella
- 95220 Biella
- 96118 Braccio pantog. Nero - mm. 600

### 91529 Assembly

- 94512 Crank
- 95220 Connecting rod
- 96118 Pantograph arm/black - mm. 600



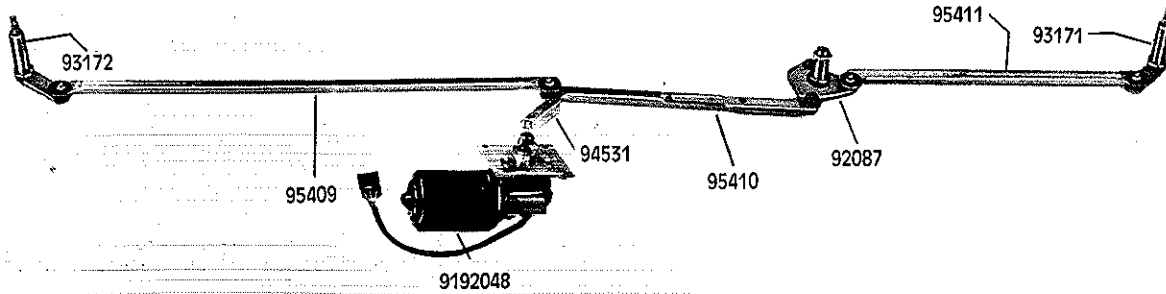
## FIAT 370/12-25

**91087 Completo**  
 92087 Ritardo completo  
 9192040 Motoriduttore  
 94531 Manovella

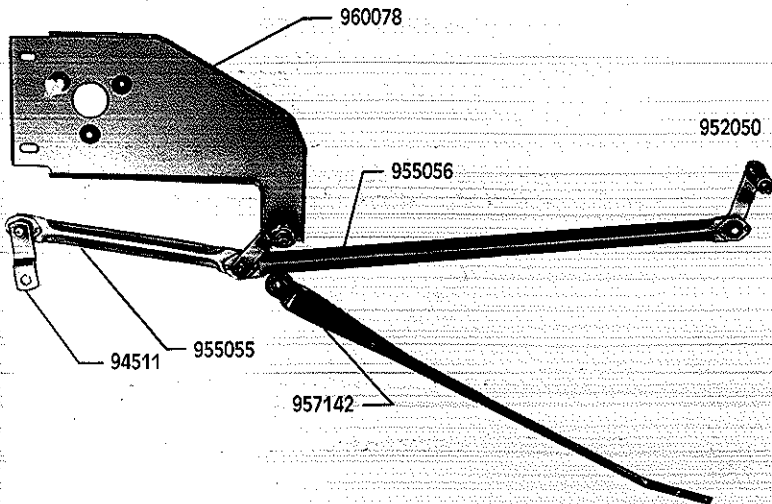
95409 Biella  
 95410 Biella regolabile  
 95411 Biella regolabile  
 93171 Perno completo  
 93172 Perno completo  
 957210 Braccio dx. - mm. 670  
 957211 Braccio sx. - mm. 700

**91087 Assembly**  
 92087 Complete lag  
 9192040 Geared motor  
 94531 Crank  
 95409 Connecting rod  
 95410 Connecting regable  
 95411 Connecting regable  
 93171 Complete pin  
 93172 Complete pin

957210 Wiper arm/right - mm. 670  
 957211 Wiper arm/left - mm. 700



## FIAT 421 AM (SEAC)



**950078 Completo**

960078 Piastra  
 952050 Perno completo  
 94511 Manovella  
 955056 Biella tirante  
 955055 Biella motore  
 957142 Braccio Nero

**950078 Assembly**

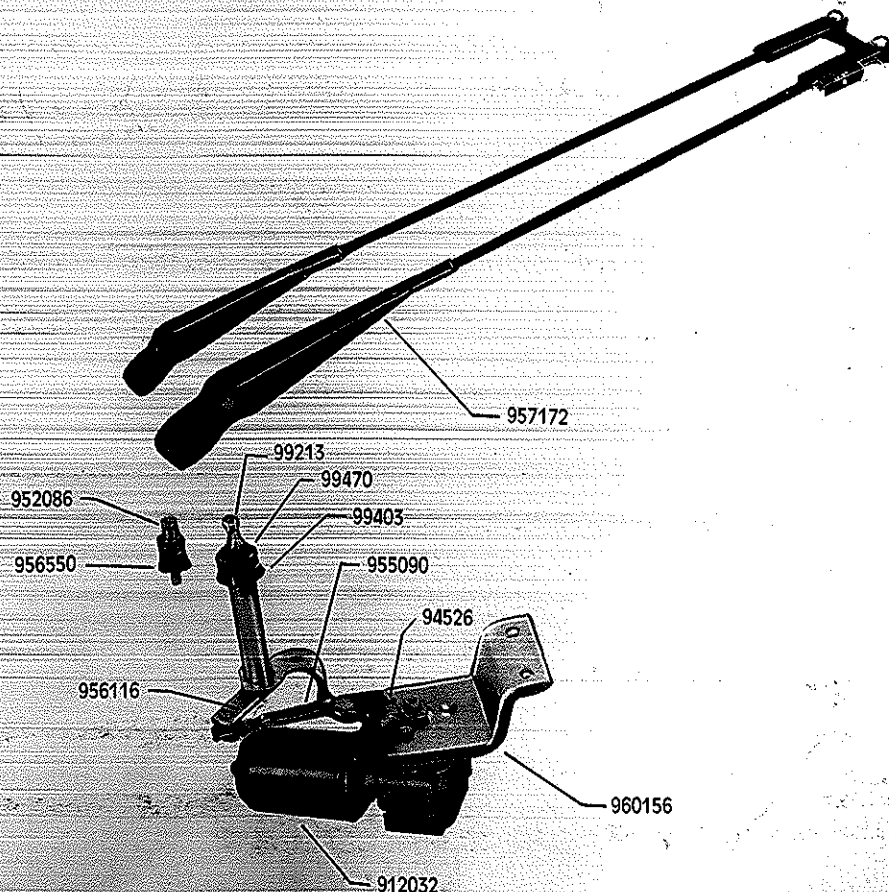
960078 Plate  
 952050 Complete pin  
 94511 Crank  
 955056 Tie connecting rod  
 955055 Motor connecting rod  
 957142 Wiper arm/black

## SAME

**950156 Completo**  
 912032 Motoriduttore  
 960156 Piastra con bussola  
 94526 Manovella  
 956116 Gruppo perno  
 955090 Biella  
 952086 Pernetto folle in ottone  
 957172 Braccio a pantografo

**950156 Assembly**

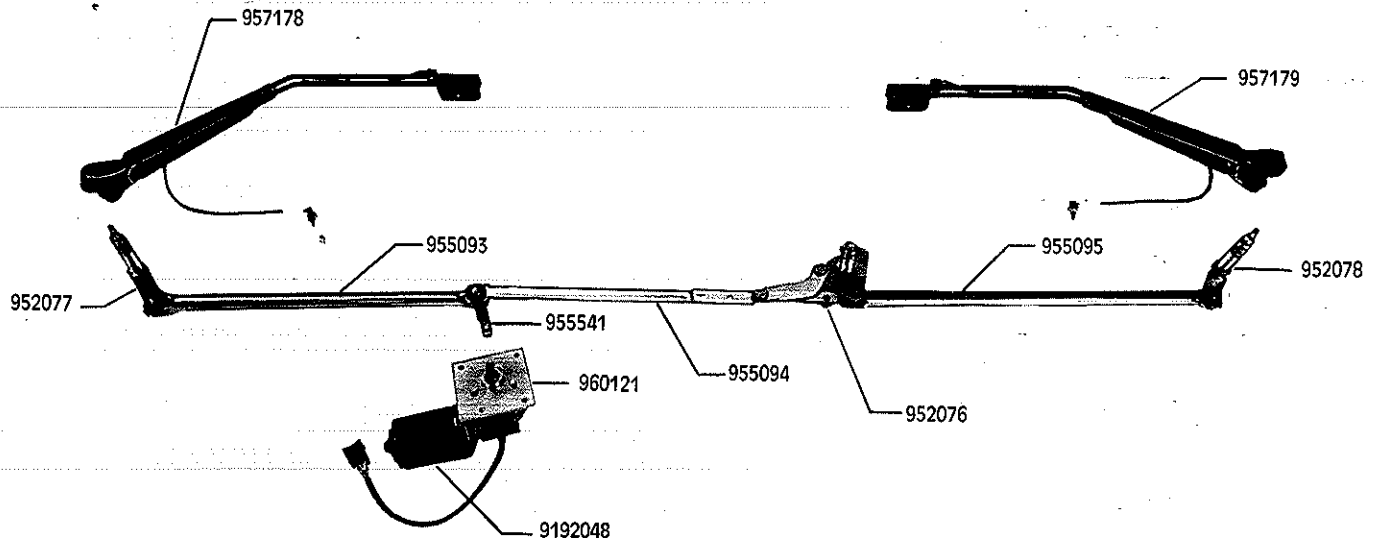
912032 Geared motor  
 960156 Plate bushing  
 94526 Crank  
 956116 Pin  
 955090 Connecting road  
 952086 Brass neutral pin  
 957172 Wiper arm



## IMPIANTO FEDERTRASPORTI

### 950158 Completo

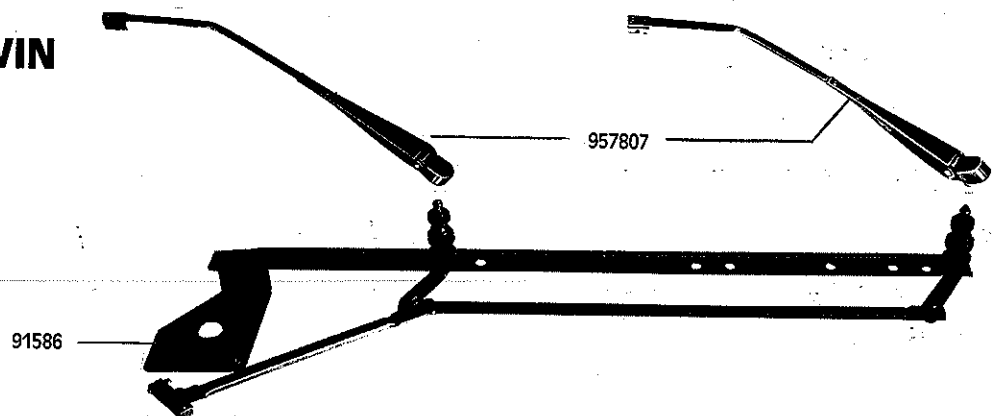
- 912003 Motoriduttore
- 952076 Ritardo completo
- 960121 Contropiastra motoriduttore
- 955541 Manovella motore
- 952077 Gruppo perno completo
- 952078 Gruppo perno completo
- 955093 Biella
- 955094 Biella regolabile
- 955095 Biella
- 957179 Braccio sx
- 957178 Braccio dx



## CARROZZERIA CARVIN

### 91586 Completo

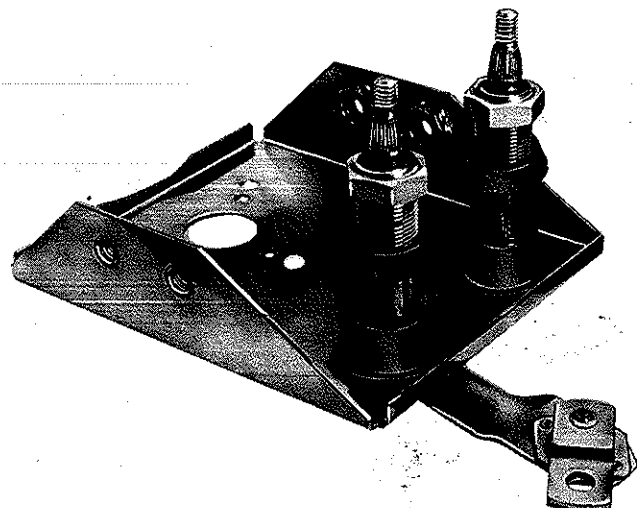
- 957807 Braccio



## BUSSOLA FILETTATA mm. 107

### 91527/A Completo

- 94512 Manovella
- 95220 Biella



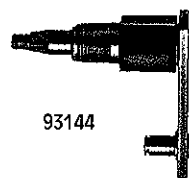


## VOLVO SH

93144 Perno semplice int. 54 mm

93144 Simple axe 54 mm distance

Rif. Volvo - 1518665



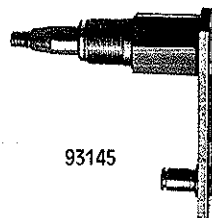
93144

## VOLVO SH

93145 Perno semplice int. 64 mm

93145 Simple axe 64 mm distance

Rif. Volvo - 1518667



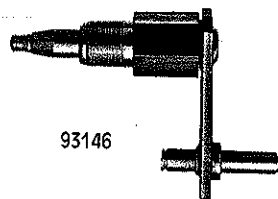
93145

## VOLVO SH

93146 Perno doppio

93146 Double axe

Rif. Volvo - 1518666

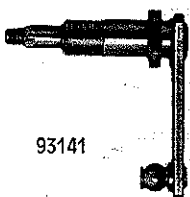


93146

## SCANIA 111/141

93141 Perno semplice

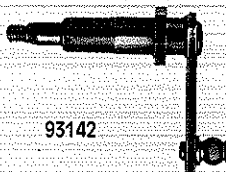
93141 Simple axe



93141

93142 Perno semplice

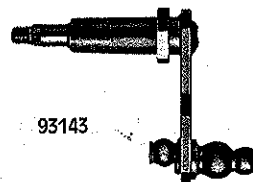
93142 Simple axe



93142

93143 Perno doppio

93143 Double axe



93143

## MAN

93210 Perno semplice

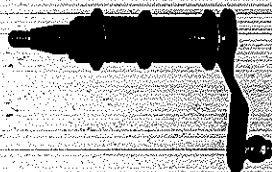
93210 Simple axe



93210

93211 Perno semplice

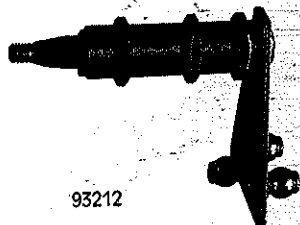
93211 Simple axe



93211

93212 Perno doppio

93212 Double axe



93212

## SCANIA 142/143 '92

93207 Perno semplice

93207 Simple axe



93207

93208 Perno semplice

93208 Simple axe



93208

93209 Perno doppio

93209 Double axe



93209

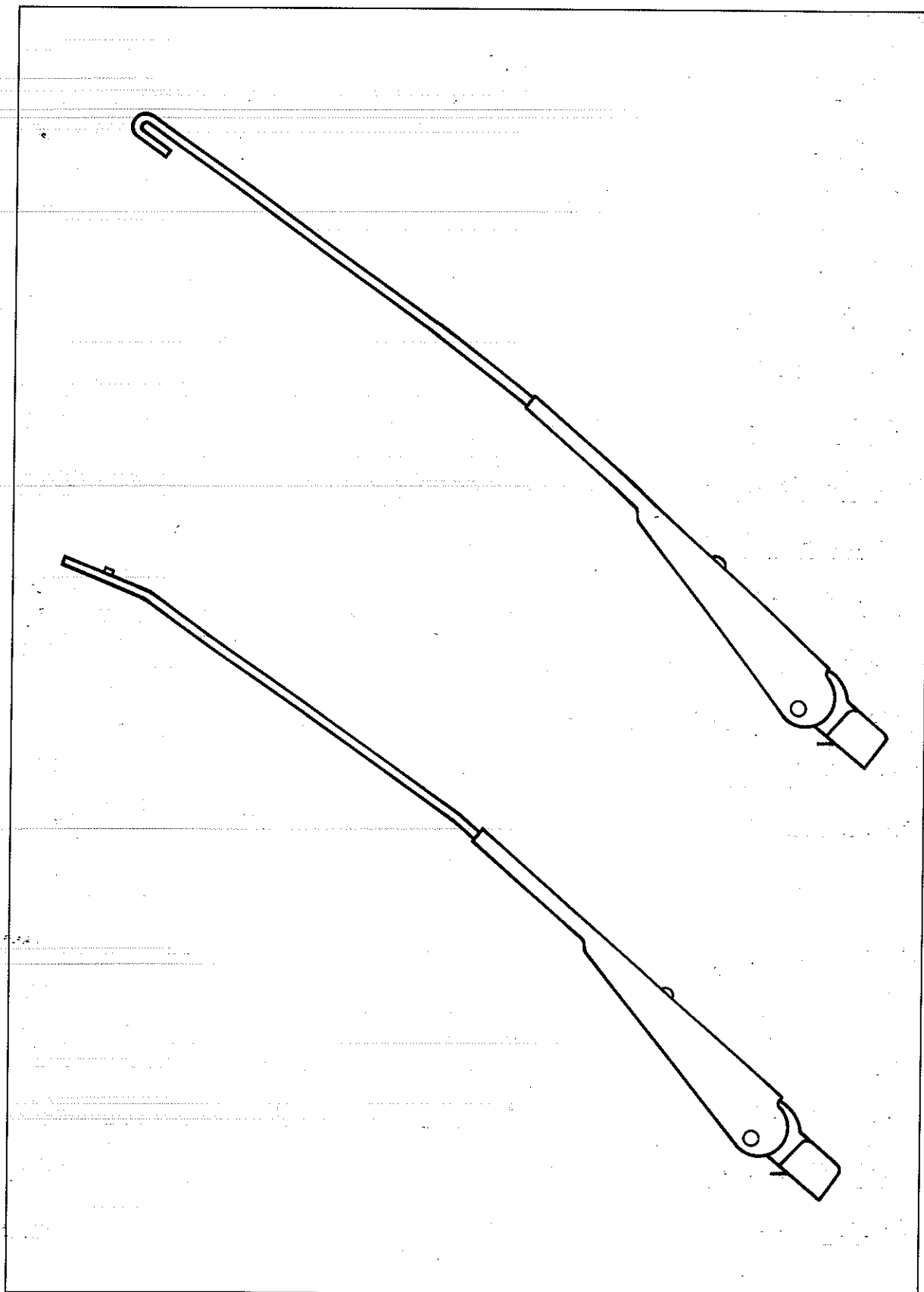


Bracci  
tergicristallo

Wiper arms

Settembre 2002  
September 2002

# BRACCI TERGICRISTALLO PER VETTURE



## BRACCI TERGICRISTALLO PER VETTURE

# FIAT

500 F-L	96103
126	96106
PANDA	96125
850 - 127 - 128 - 125 - 124 - A112	96108
131 - 132 - RITMO 1 SERIE - ARGENTA	96113
RITMO 2 SERIE (LATO GUIDA) PERNO MILLERIGHE	96138
RITMO 2 SERIE (LATO PASSEGGERO) PERNO MILLERIGHE	96139
RITMO 3 SERIE (LATO GUIDA) PERNO CONICO	96186
RITMO 3 SERIE (LATO PASSEGGERO) PERNO CONICO	96185
REGATA (LATO PASSEGGERO) PERNO MILLERIGHE	96133
REGATA (LATO GUIDA) PERNO MILLERIGHE	96132
REGATA ULTIMA SERIE (LATO GUIDA) PERNO CONICO	96188
REGATA ULTIMA SERIE (LATO PASSEGGERO) PERNO CONICO	96187
UNO	96129
UNO 1990	96783
TIPO	96200
TIPO 16V	96792
CINQUECENTO (LATO GUIDA)	96796
CINQUECENTO (LATO PASSEGGERO)	96797
CROMA → 90	96791

## BRACCI TERGICRISTALLI PER VETTURE

# LANCIA

THEMA (LATO GUIDA) → 89	96785
THEMA(LATO PASSEGGERO) → 89	96786
DEDRA (LATO GUIDA) → 90	96787
DEDRA (LATO PASSEGGERO → 90	96788
DELTA - PRISMA (LATO GUIDA) → 86	96798
DELTA - PRISMA (LATO PASSEGGERO) → 86	96799
DELTA INTEGRALE (LATO GUIDA) 87 → 90	96800
DELTA INTEGRALE (LATO PASSEGGERO) 87 → 90	96801
DELTA LX - GT - TDS (LATO GUIDA) → 86	96800
DELTA LX - GT - TDS (LATO PASSEGGERO) → 86	96802
Y 10 → 92	96183

# SEAT

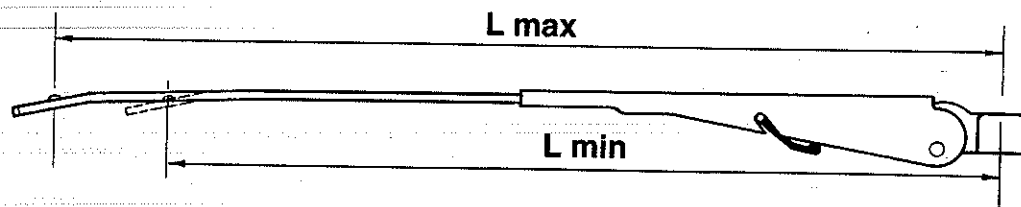
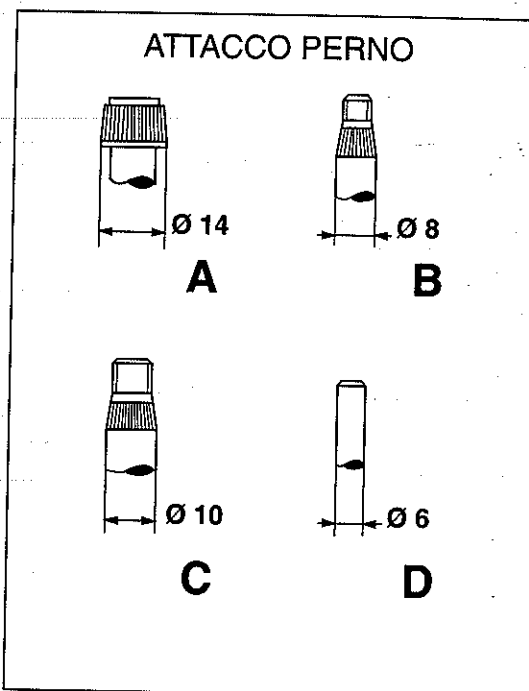
MARBELLA	96805
----------	-------

## BRACCI PER TERGICRISTALLO POSTERIORI

DESCRIZIONE	COD.
A.R. 33	96741
PANDA	96782
PANDA (CON SPAZZOLA)	96803
UNO	96130
UNO 1990 (CON SPAZZOLA)	96793
CINQUECENTO	96794
TIPO	96784
RITMO	96721
RITMO ULTIMA SERIE	96746
131 FAMILIARE	96713
CROMA	96790
DEDRA	96789
DELTA	96795
A112	96745
Y 10	96184
GOLF 2a SERIE	96742
CITROEN VISA	96743
CITROEN BX	96744
TEMPRA SW (CON SPAZZOLA)	96804



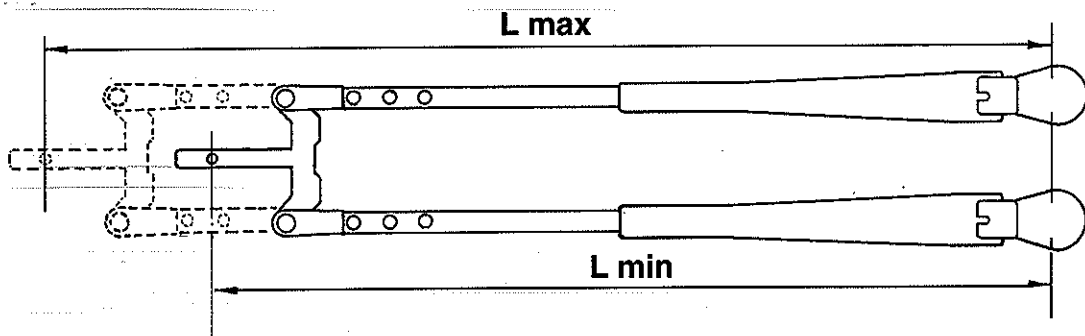
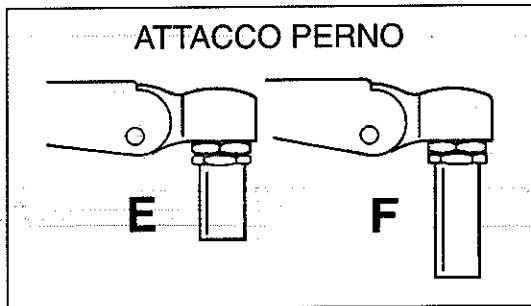
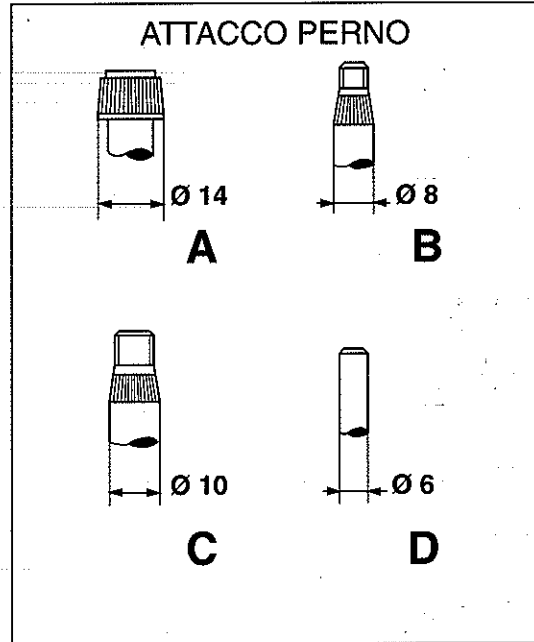
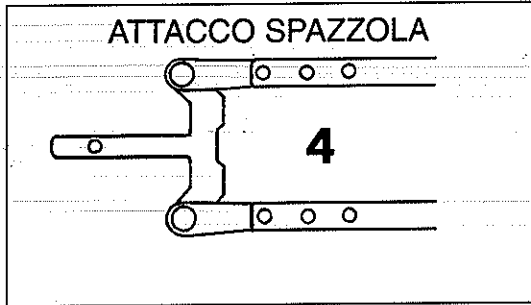
# BRACCI REGOLABILI



## BRACCI REGOLABILI

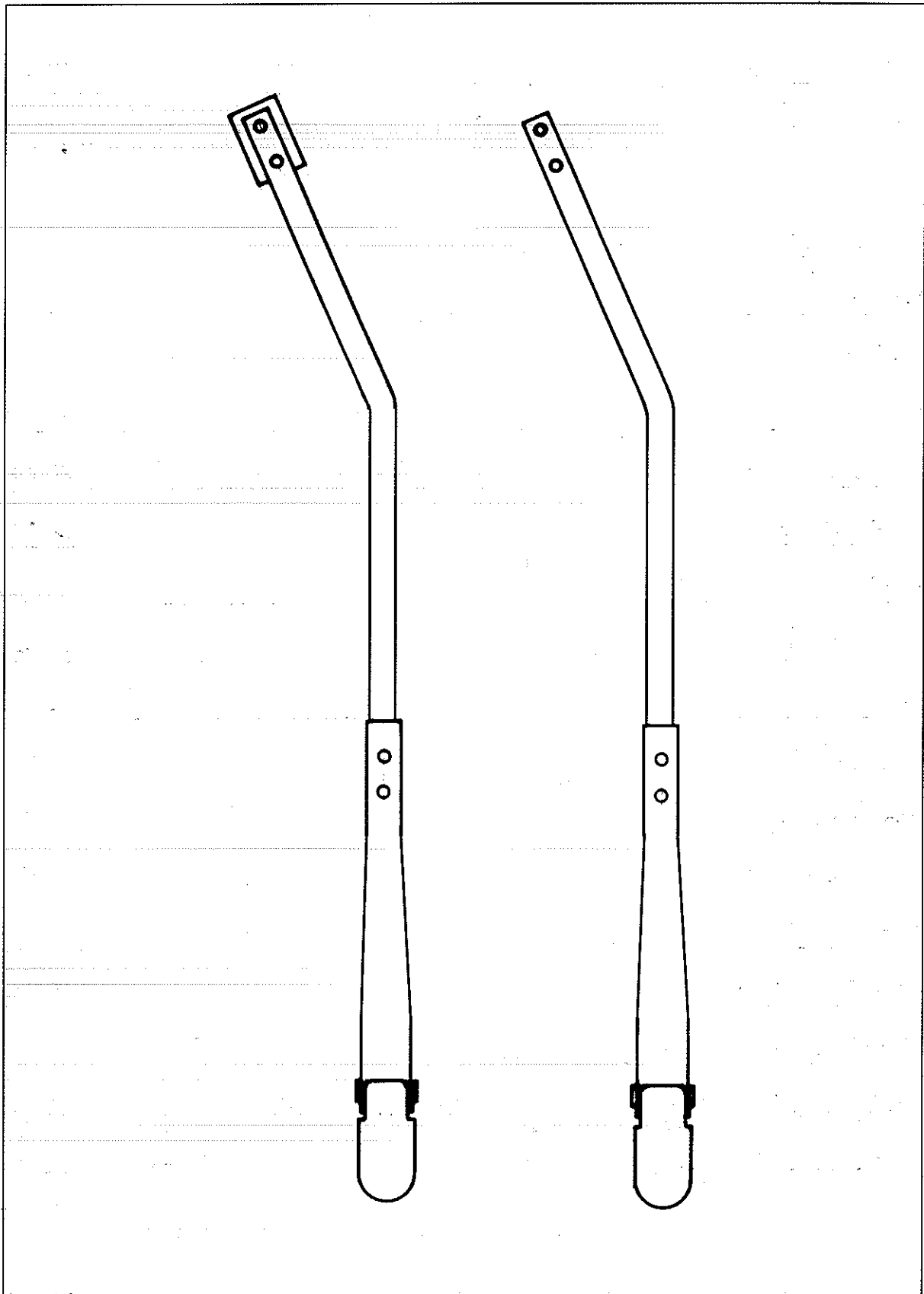
COD.	ATT. SPAZZOLA	ATT. PERNO	LUNG. MINIMA	LUNG. MASSIMA
96156	1	A	285	385
96169	3	B	320	420
96170	3	C	320	420
96401	2	D	350	450
96401/A	2	D	300	400
96401/B	2	D	400	500
96401/C	2	D	250	350
96401/E	2	D	450	550
96402	2	B	350	450
96402/A	2	B	300	400
96402/B	2	B	400	500
96402/C	2	B	250	350
96402/E	2	B	450	550
96403	2	C	350	450
96403/A	2	C	300	400
96403/B	2	C	400	500
96403/C	2	C	250	350
96403/E	2	C	450	550

# PANTOGRAFI REGOLABILI





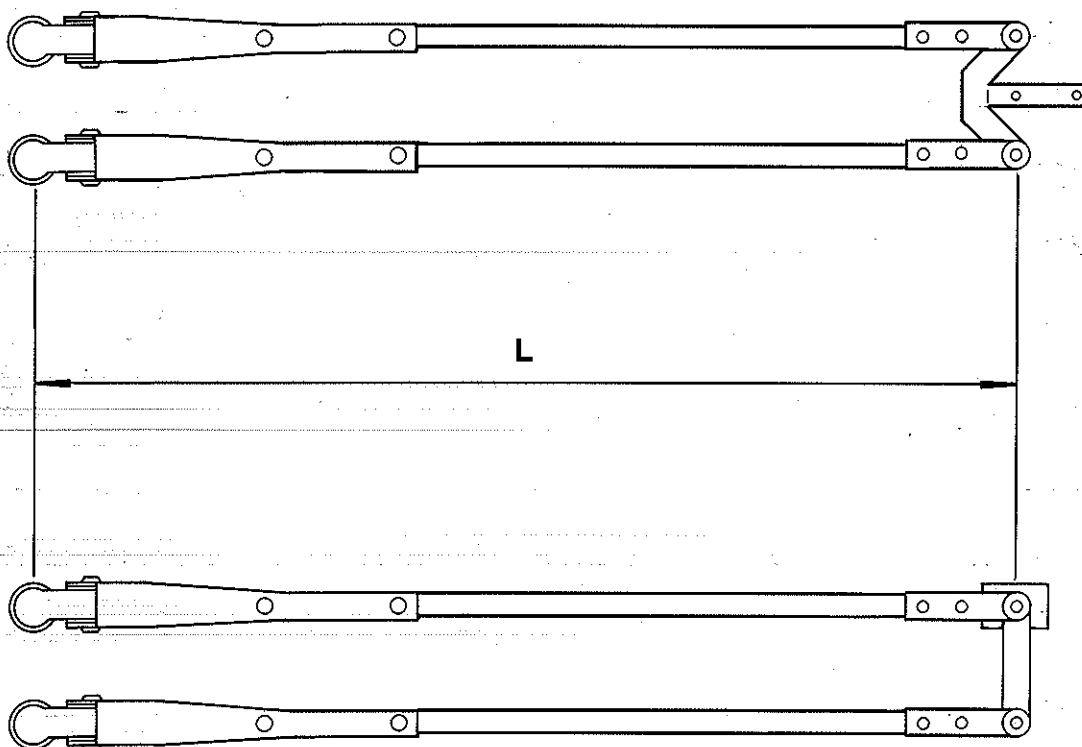
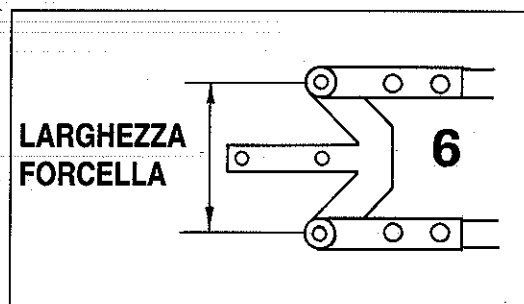
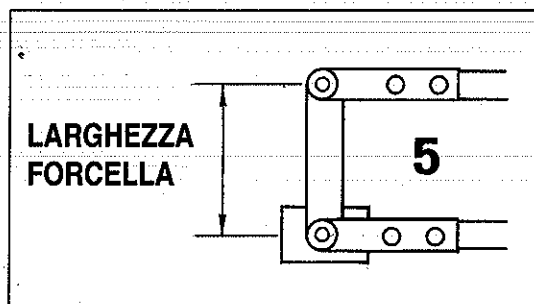
## BRACCI PER VEICOLI INDUSTRIALI



## BRACCI PER VEICOLI INDUSTRIALI

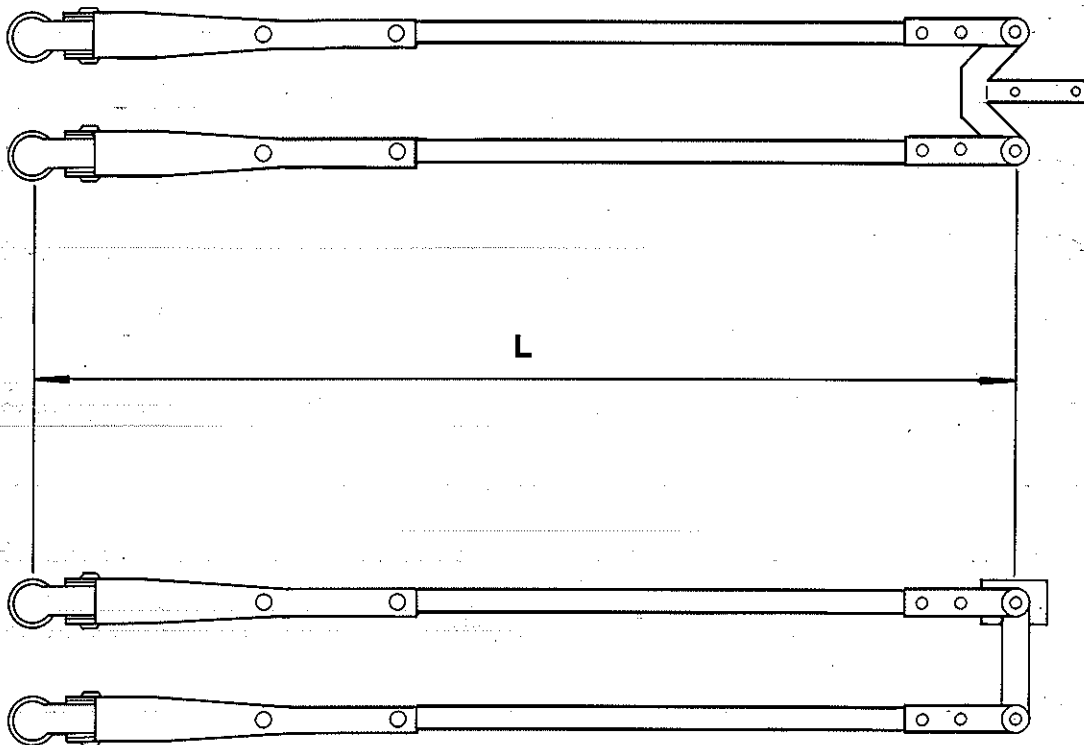
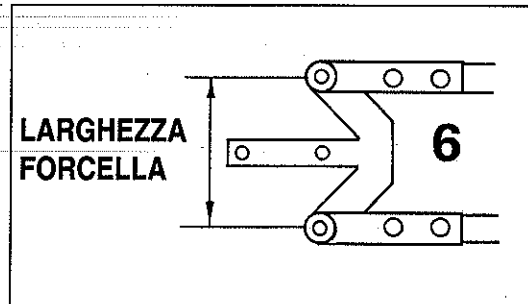
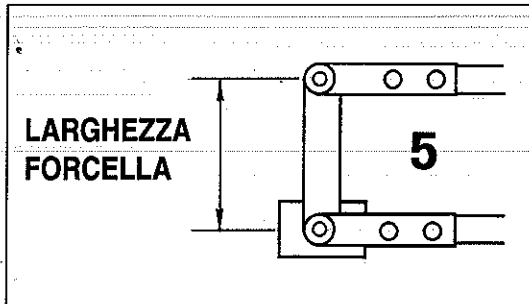
DESCRIZIONE	COD.
OM LUPETTO - LEONCINO - TIGROTTO SX	96611
OM LUPETTO - LEONCINO - TIGROTTO DX	96011
OM 35 - 40 SX	96612
OM 35 - 40 DX	96012
OM 150 DX	96610
OM 150 SX	96010
FIAT 643 - 662 SX	96609
FIAT 643 - 662 DX - 238 - 616 - 625	96009
FIAT DUCATO	96148
FIAT 645 - 650 - 673 (GUIDA SX)	96109
FIAT 50 - 130 - 619 (GUIDA SX)	96715
FIAT 50 - 130 - 619 - GRINTA (GUIDA DX)	96115
FIAT 170 - 190 (GUIDA SX)	96723
FIAT 170 - 190 (GUIDA DX)	96123
IVECO TURBO STAR (LATO GUIDA)	96192
IVECO TURBO STAR (LATO PASSEGGERO)	96193
NEW DAILY - GAMMA Z - ASTRA	96734
IVECO EUROCARGO - EUROTECH - EUROSTAR - LATO GUIDA	96732
IVECO EUROCARGO - EUROTECH - EUROSTAR - LATO PASSEGGERO	96733

# PANTOGRAFI TERGICRISTALLO PER VEICOLI INDUSTRIALI





# PANTOGRAFI TERGICRISTALLO PER VEICOLI INDUSTRIALI



## BRACCI TERGICRISTALLO PER AUTOBUS

COD.	PIEGA	L mm	I mm	GRADI °	Ø PERNO mm	ATT. SPAZZOLA	CON SPRUZZ.
957174	SX	670	420	25	16	7	S
957175	DX	690	440	34	16	7	S
957176	SX	635	410	22	16	7	S
957177	DX	740	460	39	16	7	S
957178	DX	645	370	33	16	7	S
957179 (SWF - 105774)	SX	640	360	24	16	7	S
957210 (SWF - 104710)	DX	685	580		16	5	S
957211 (SWF - 104711)	SX	685	580		16	5	S
957147	SX	770	550		16	5	
957230	DX	745	400	35	16	7	S
957231	SX	715	380	25	16	7	S
957247	SX	650	420	24	16	7	S
957248	DX	660	440	33	16	7	S
957249	SX	590		12	16	5	S
957250	SX	590		19	16	5	S
957251	DX	425			16	5	
957252	SX	560		12	16	5	S
957253	SX	560		19	16	5	S
957254	SX	730	460	34	16	7	S
957255 (SWF - 105646)	DX	695	460	21	16	7	S
957164	DX	450			12	5	



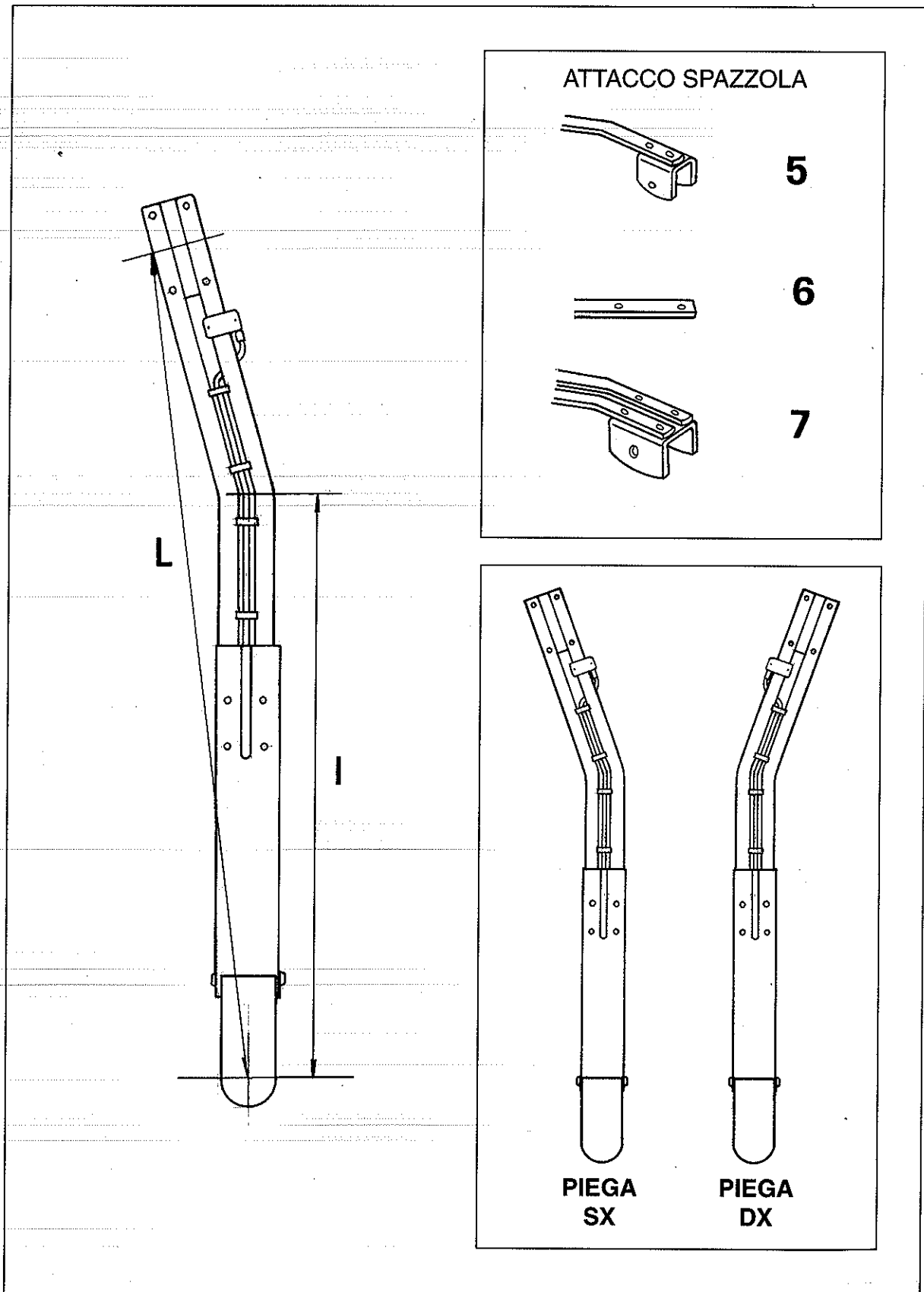
## PANTOGRAFI TERGICRISTALLO PER VEICOLI INDUSTRIALI

COD.	L mm	Ø PERNO mm	LARG. FORCELLA	ATT. SPAZZOLA	CON SPRUZZ.
96114	560	12	65	6	
96118	600	12	65	6	
96119	680	12	65	6	
96120	700	12	60	5	
957173	800	16	65	5	
957132	730	16	65	5	
957135	700	12	60	5	S
957166	700	12	65	5	
957167	700	16	65	5	
957168	660	12	65	6	
957153	700	12	60	5	
957154	730	16	65	5	S
957115	650	12	65	6	
957131	720	12	65	6	
957139	510	12	65	6	
957205	700	12	65	6	
957206	530	10	(SAME)		
957217	635	12		6	
957157	580	12	65	6	
957801 (SWF - 102707)	680	12/8	60	5	

## PANTOGRAFI TERGICRISTALLO PER VEICOLI INDUSTRIALI

COD.	L mm	Ø PERNO mm	LARG. FORCELLA	ATT. SPAZZOLA	CON SPRUZZ.
96114	560	12	65	6	
96118	600	12	65	6	
96119	680	12	65	6	
96120	700	12	60	5	
957173	800	16	65	5	
957132	730	16	65	5	
957135	700	12	60	5	S
957166	700	12	65	5	
957167	700	16	65	5	
957168	660	12	65	6	
957153	700	12	60	5	
957154	730	16	65	5	S
957115	650	12	65	6	
957131	720	12	65	6	
957139	510	12	65	6	
957205	700	12	65	6	
957206	530	10	(SAME)		
957217	635	12		6	
957157	580	12	65	6	
957801 (SWF - 102707)	680	12/8	60	5	

# BRACCI TERGICRISTALLO PER AUTOBUS











di Ferroni s.r.l.

25086 REZZATO (BS) ITALY - Via Giovanni XXIII, 81

Tel. +39 030 2593097 - Fax +39 030 2592661 - E-mail: [info@cai-bs.it](mailto:info@cai-bs.it) - <http://www.cai-bs.it>